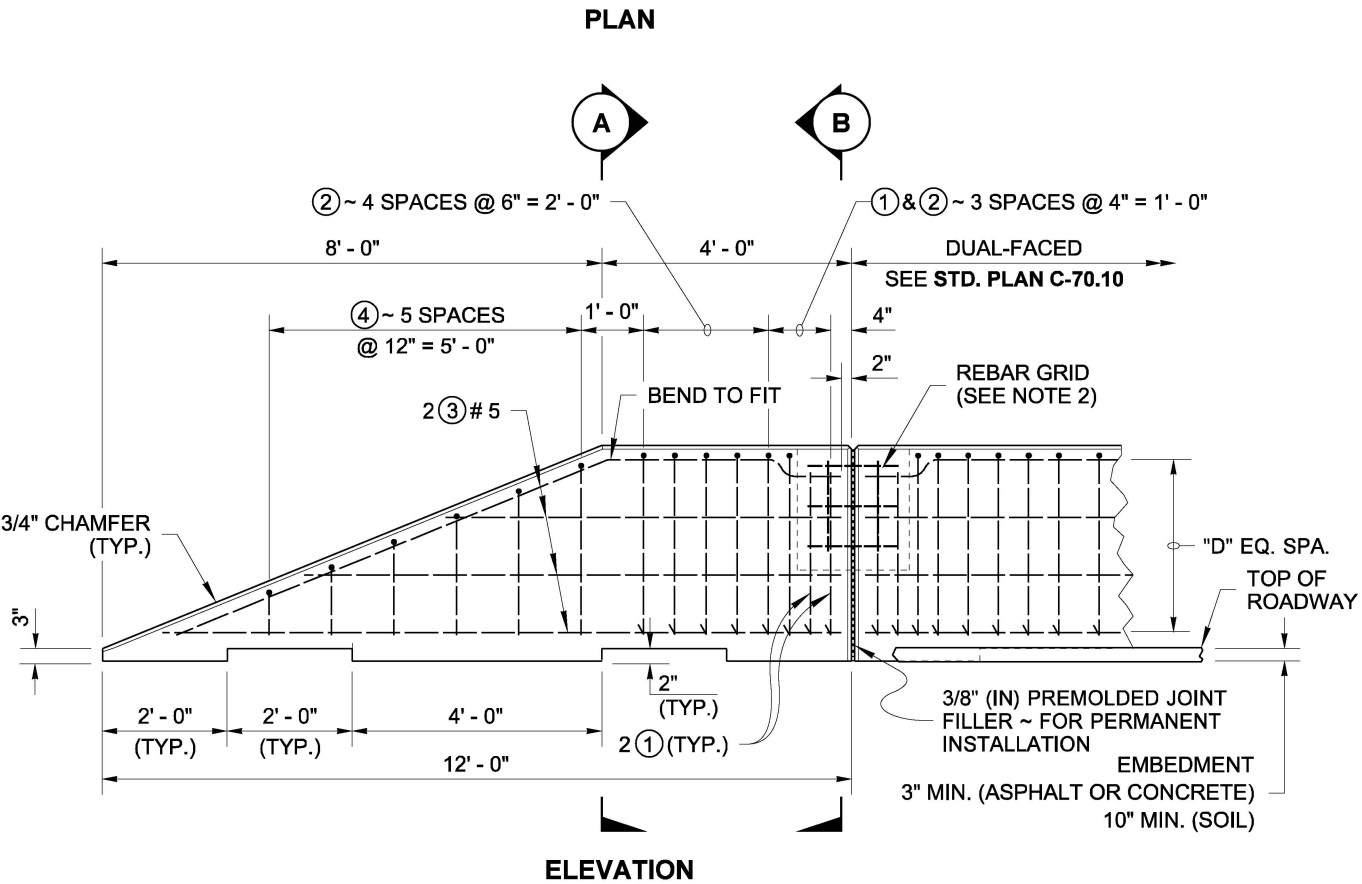
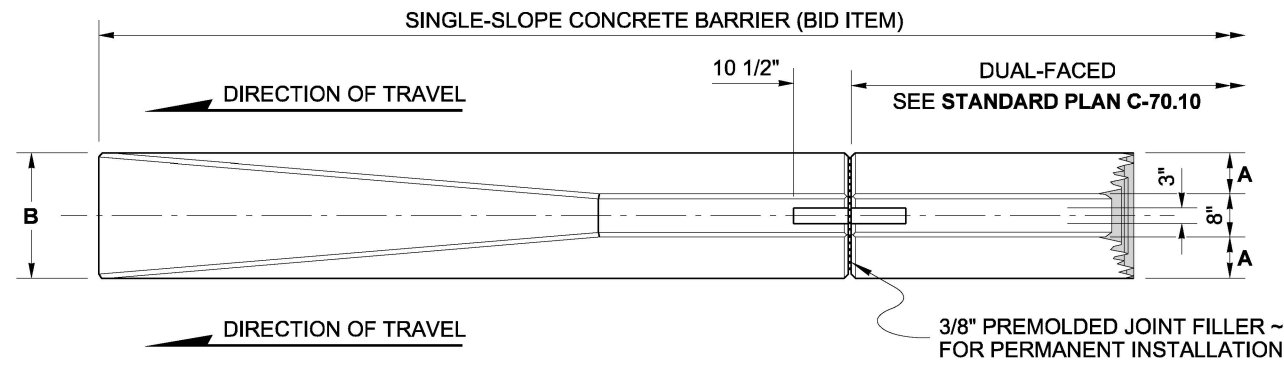
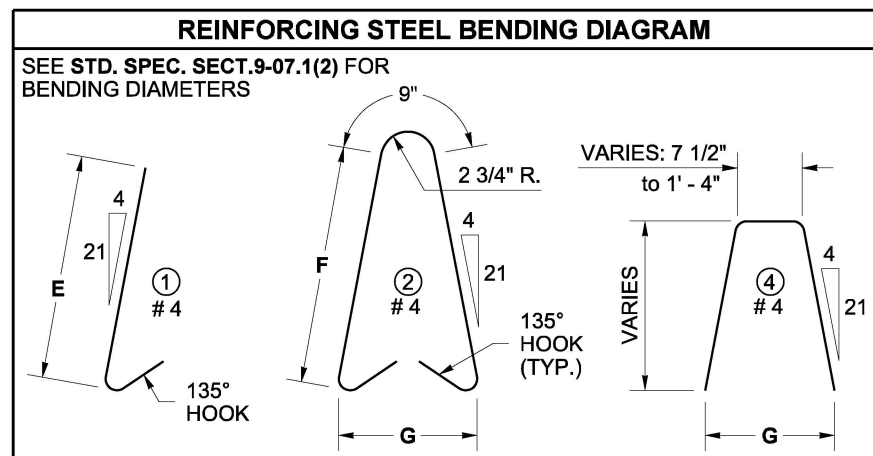


DRAWN BY: FERN LIDDELL



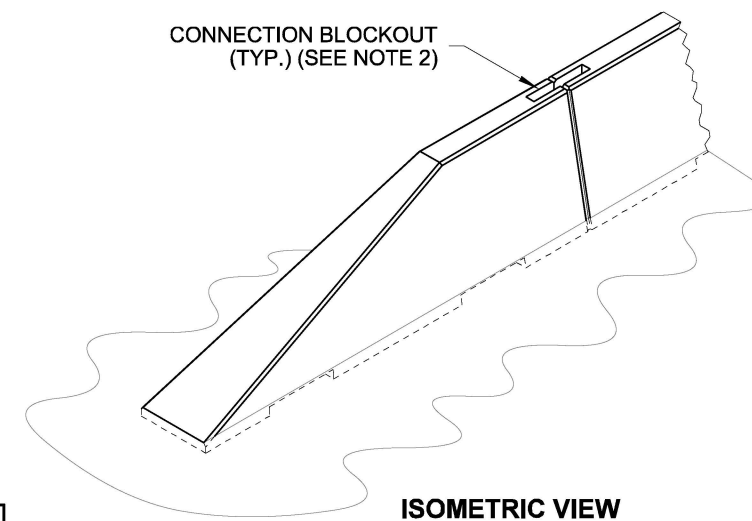
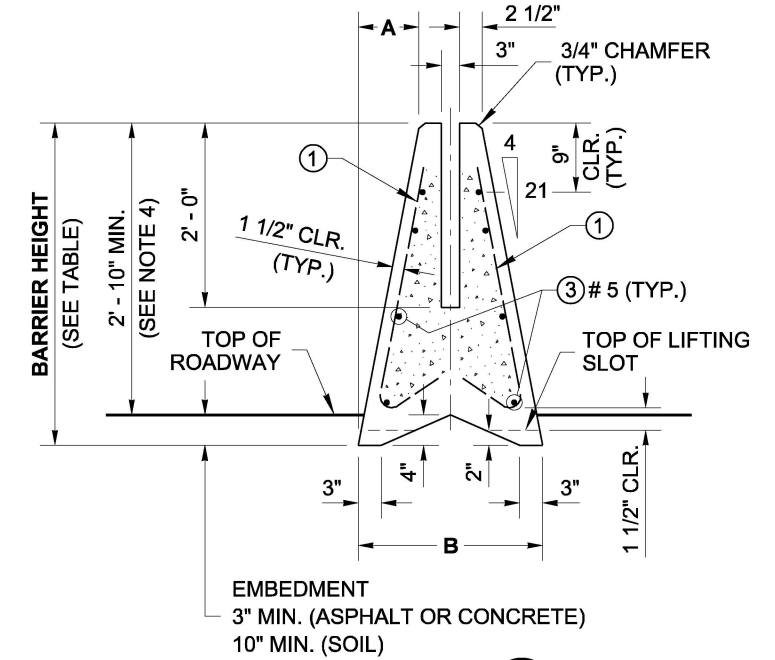
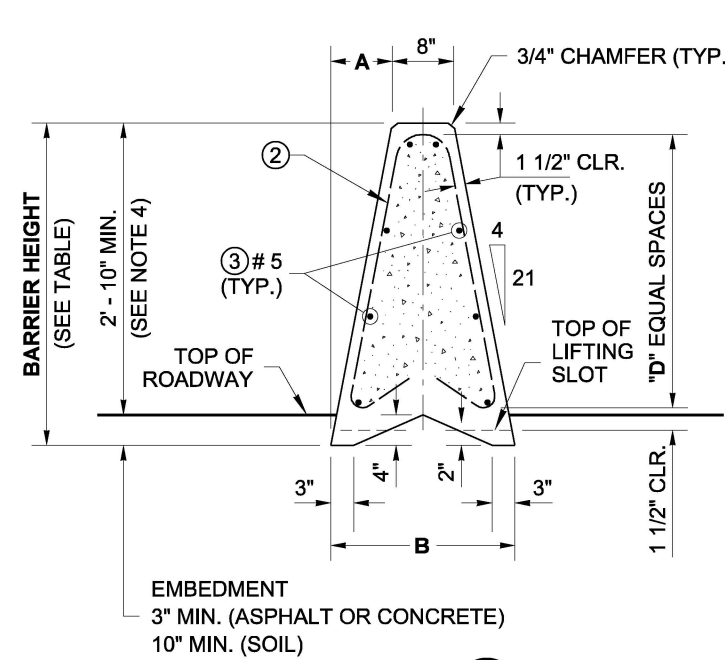
NOTE:
STEEL WELDED WIRE REINFORCEMENT DEFORMED FOR CONCRETE MAY BE SUBSTITUTED FOR REINFORCING STEEL IN ACCORDANCE WITH STANDARD SPECIFICATION, SECTION 6-10.3



DIMENSION TABLE								(SEE NOTE 4)
	BARRIER HEIGHT	A	B	D	E	F	G	HORIZONTAL BARS (QTY.)
STD.	3' - 6"	8"	2' - 0"	3	2' - 8"	2' - 9"	1' - 7"	8
H/P	4' - 0"	9 1/8"	2' - 2 1/4"	4	3' - 2"	3' - 3"	1' - 9"	10

NOTES

1. PERMANENT INSTALLATION requirements: Embed barrier 3" (in) minimum in asphalt or concrete; Embed barrier 10" (in) minimum in compacted soil; Install 3/8" (in) Premolded Joint Filler between segments; fill the Connection Blockout with grout, centering the Rebar Grid in the blockout before adding grout.
2. See **Standard Plan C-70.10** for REBAR GRID DETAIL and BARRIER CONNECTION DETAIL.
3. The Terminal is used only on the trailing end of a barrier, unless otherwise shown in the Contract.
4. When **High-Performance Concrete Barrier** is specified in the Contract, use the dimensions given in the H/P row in the DIMENSION TABLE, with a minimum height above roadway of 3' - 6" and a minimum embedment of 3" (in) in asphalt or concrete, or 10" (in) minimum embedment in compacted soil.



Aug 17, 2021

SINGLE-SLOPE CONCRETE BARRIER (PRECAST) TERMINAL
STANDARD C-75.30-03

SHEET 1 OF 1 SHEET

APPROVED FOR PUBLICATION

[Signature]

Aug 20, 2021

STATE DESIGN ENGINEER



Washington State Department of Transportation