

NOTES

1. This chain link pipe rail fence meets the requirements for worker fall protection in accordance with WAC 296-880 and shall not be used for pedestrian applications. Chain link fabric shall not be attached to this chain link pipe rail fence.
2. This structure has been designed in accordance with the requirements of AASHTO LRFD Bridge Design Specifications 9th Edition 2020, and loading in accordance with WAC 296-880.
3. Supporting structure shall account for the attachments shown here and be designed for fall protection loading in accordance with WAC 296-880 or as specified in the contract.
4. Unless otherwise shown in the plans, concrete cover measured from the face of the concrete to the face of any reinforcing steel shall be 2" (in) min. clearance.
5. Post and Rail elements shall conform to Standard Specifications Section 9-16.1(1)A and shall be schedule 40 (minimum yield strength of 50 KSI). Fittings and hardware shall conform to Standard Specifications Section 9-16.1(1)D. Fittings shall be pressed steel. Carriage bolts and associated nuts and washers shall conform to Standard Specifications Section 9-06.5(1). Anchor bolts and associated nuts and washers shall conform to Section 9-06.5(4). All plates shall conform to ASTM A36.
6. All steel parts shall be hot dip galvanized in accordance with AASHTO M111, M232 or ASTM F2329 after fabrication, unless noted otherwise.
7. All tubes, pipes, and hardware shall be shop painted or powder coated after galvanizing in accordance with Standard Specifications Section 6-07.3(11). The color of the finish coat, when dry, shall match the color SAE AMS Standard color No. 20045 or as specified in the contract. After installation, any surfaces with paint or powder coating damage shall be repaired in accordance with Standard Specification Section 6-07.3(10)P or Section 6-07.3(11)B6, respectively.
8. The chain link pipe rail fence shall be placed outside the roadway design clear zone, or shielded by a traffic barrier. The chain link pipe rail fence shall be placed outside the deflection distance of all traffic barrier types except for the long span guardrail system, (See Standard Plan C-20.40 for placement conditions.). For traffic barrier having no deflection distance, the fence shall be placed a minimum horizontal distance of 3' - 6' as measured from the top front face of the barrier.

KEY NOTE

- ◆ The same post mounting detail shall be used for each structure and shall not be interchanged within one structure.

LEGEND

NPS Nominal pipe size



Jul 10, 2023

BRIDGE RAILING TYPE  
CHAIN LINK  
PIPE RAIL  
STANDARD PLAN L-5.10-01

SHEET 1 OF 5 SHEETS

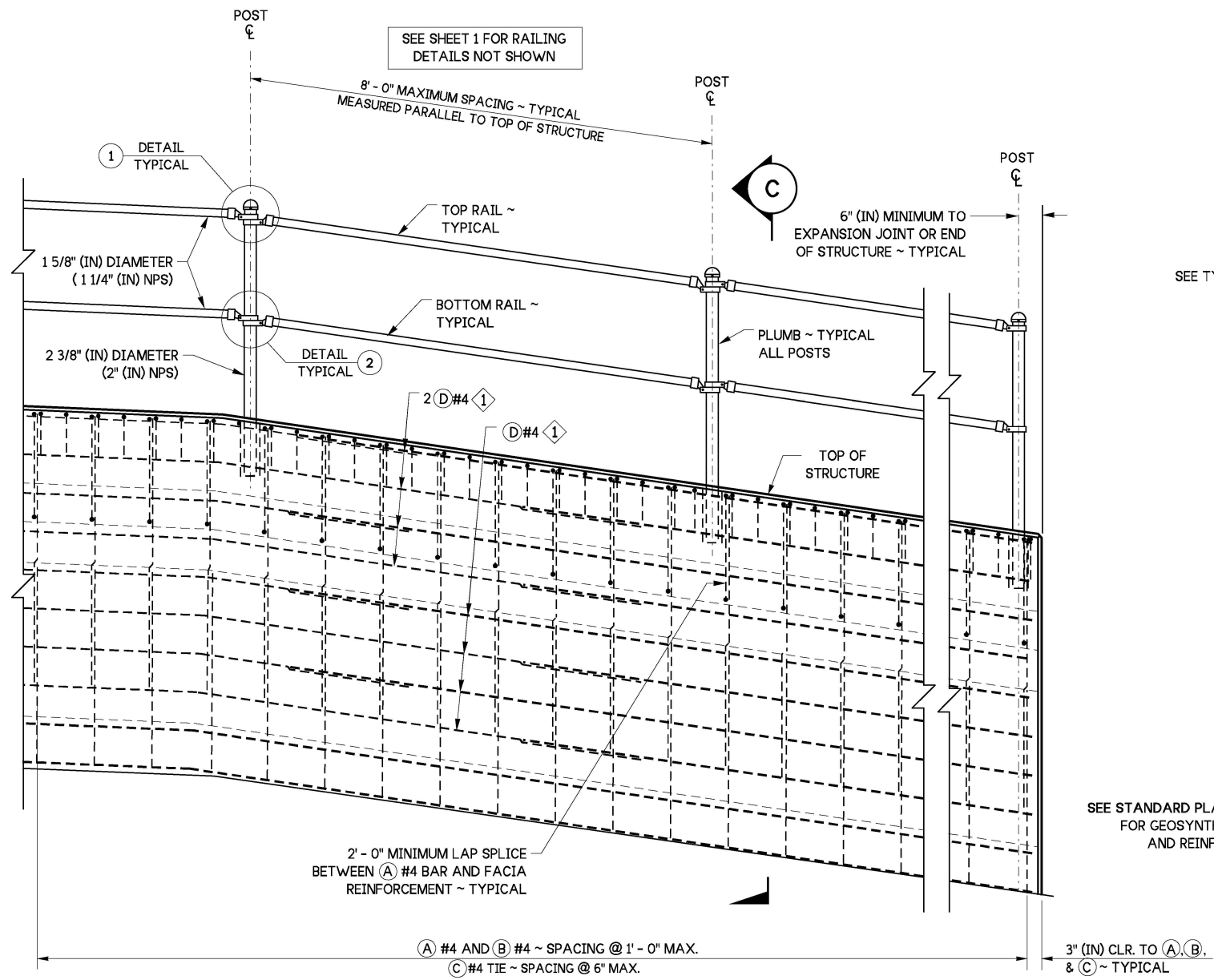
APPROVED FOR PUBLICATION

*Mark A. Davies*

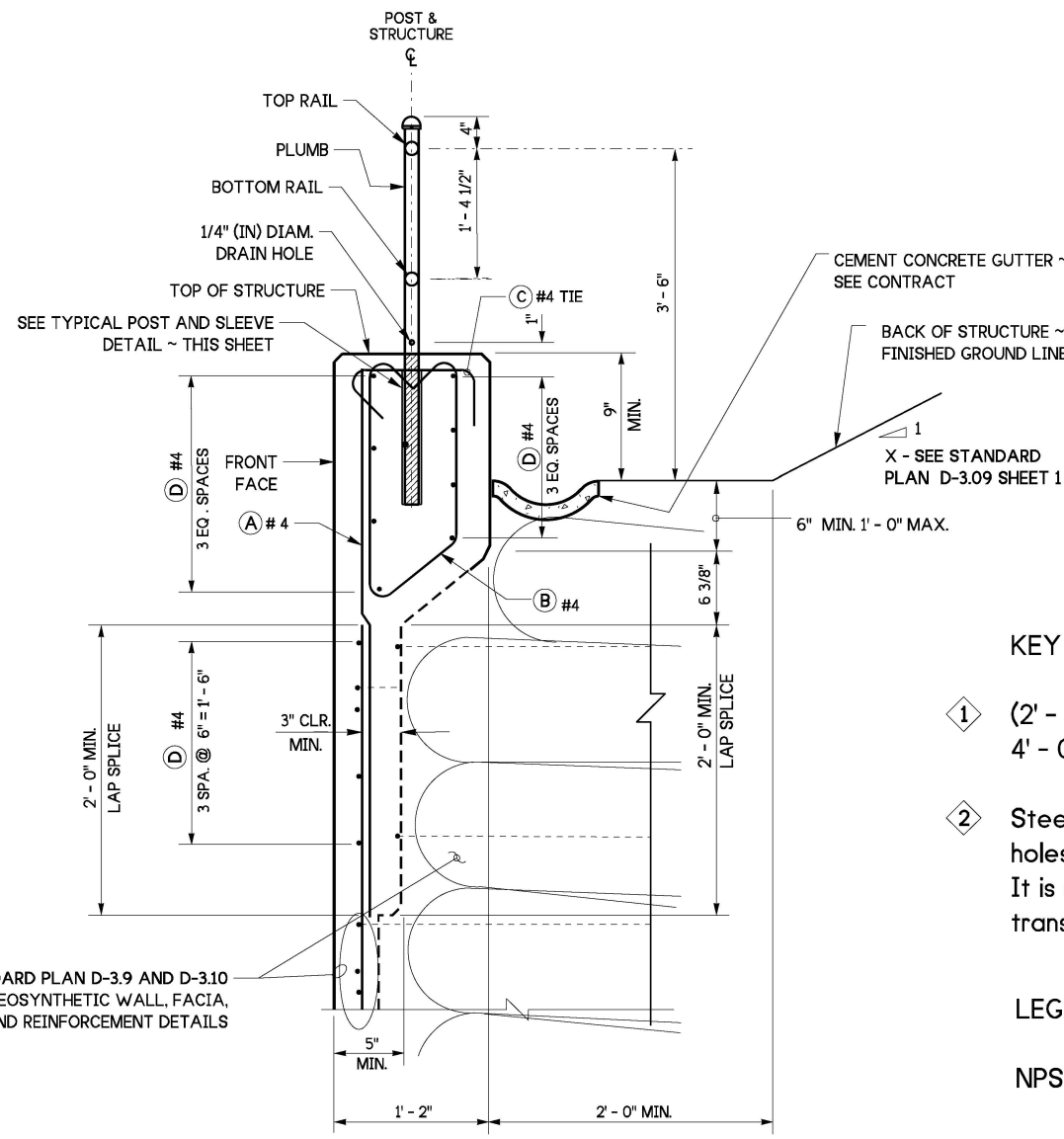
Jul 17, 2023

STATE DESIGN ENGINEER





**TYPICAL ELEVATION**  
 (INSTALLED ON CAST-IN-PLACE PERMANENT GEOSYNTHETIC WALL FACIA AND FACING. SEE STANDARD PLAN D-3.10 FOR FACIA DETAILS AND REINFORCEMENT)



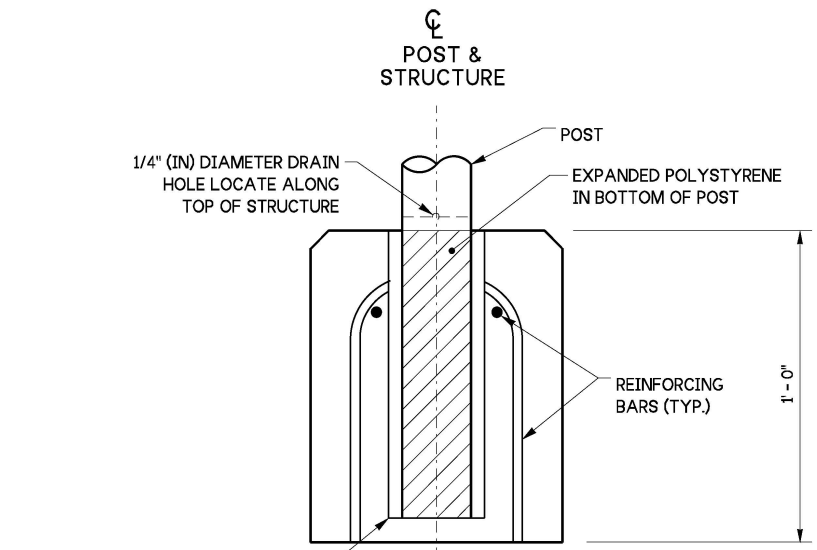
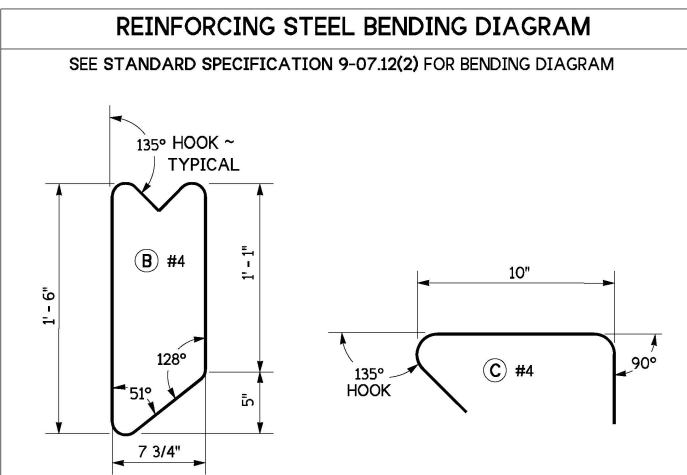
**SECTION C**

**KEY NOTES**

- 1 (2' - 0" min. splice when required) Stagger splice 4' - 0" horizontal between adjacent rebar.
- 2 Steel sleeve may be omitted if hole is cored. Cored holes shall be 3" (in) diameter and walls roughened. It is structurally acceptable to core through top transverse ties.

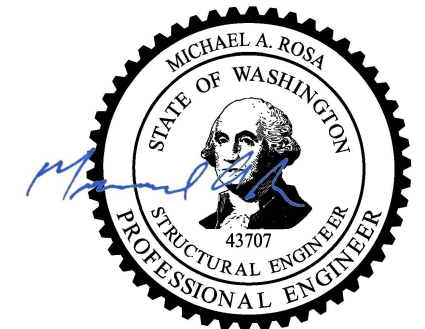
**LEGEND**

NPS Nominal pipe size



2 3.5" O.D. 16 GA GALVANIZED STEEL SLEEVE ~ FILL VOID BETWEEN SLEEVE AND POST WITH EPOXY RESIN

**TYPICAL POST AND SLEEVE DETAIL**



Jul 10, 2023  
**BRIDGE RAILING TYPE CHAIN LINK PIPE RAIL**  
**STANDARD PLAN L-5.10-01**

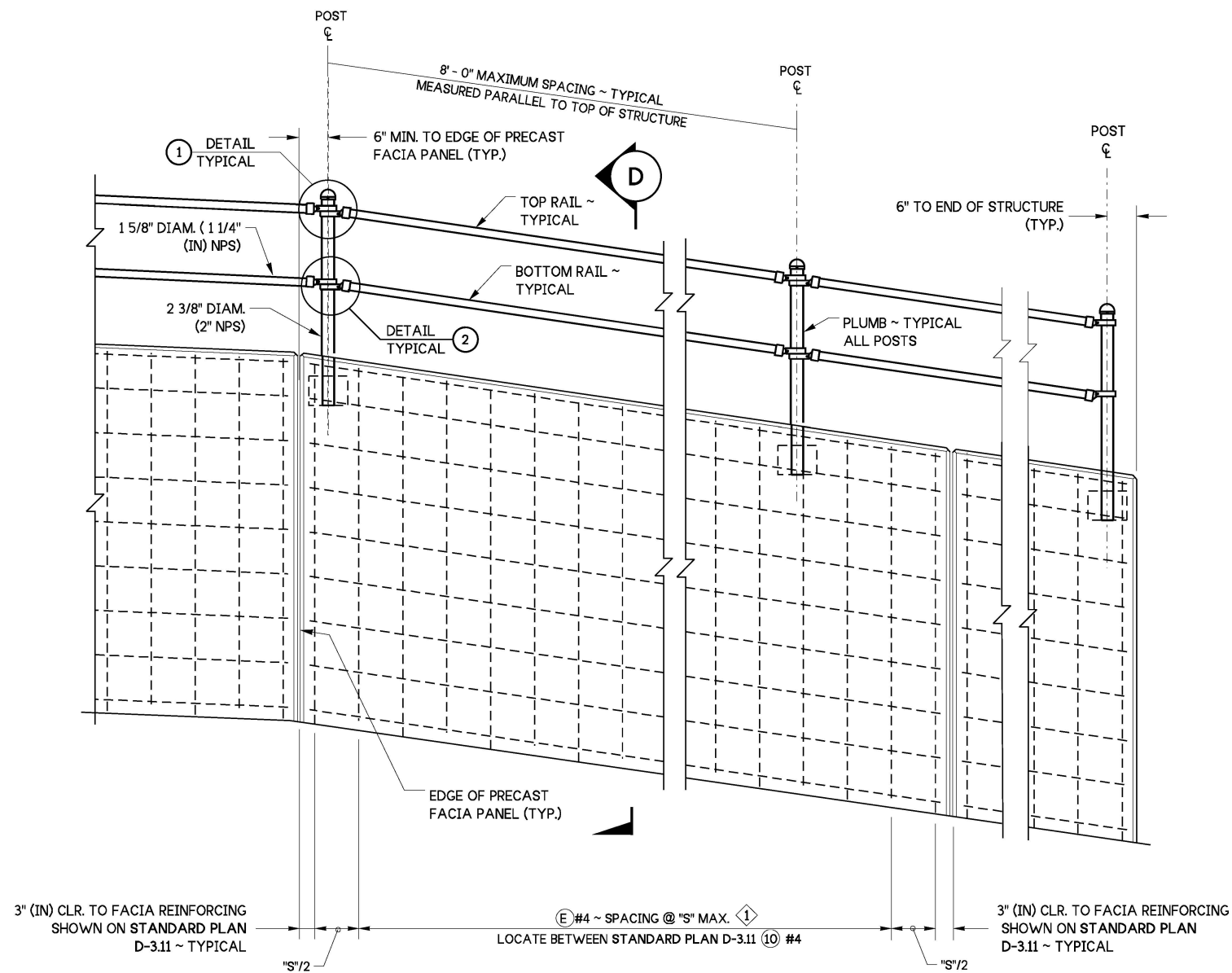
SHEET 2 OF 5 SHEETS

APPROVED FOR PUBLICATION

*Mark A. Davis* Jul 17, 2023

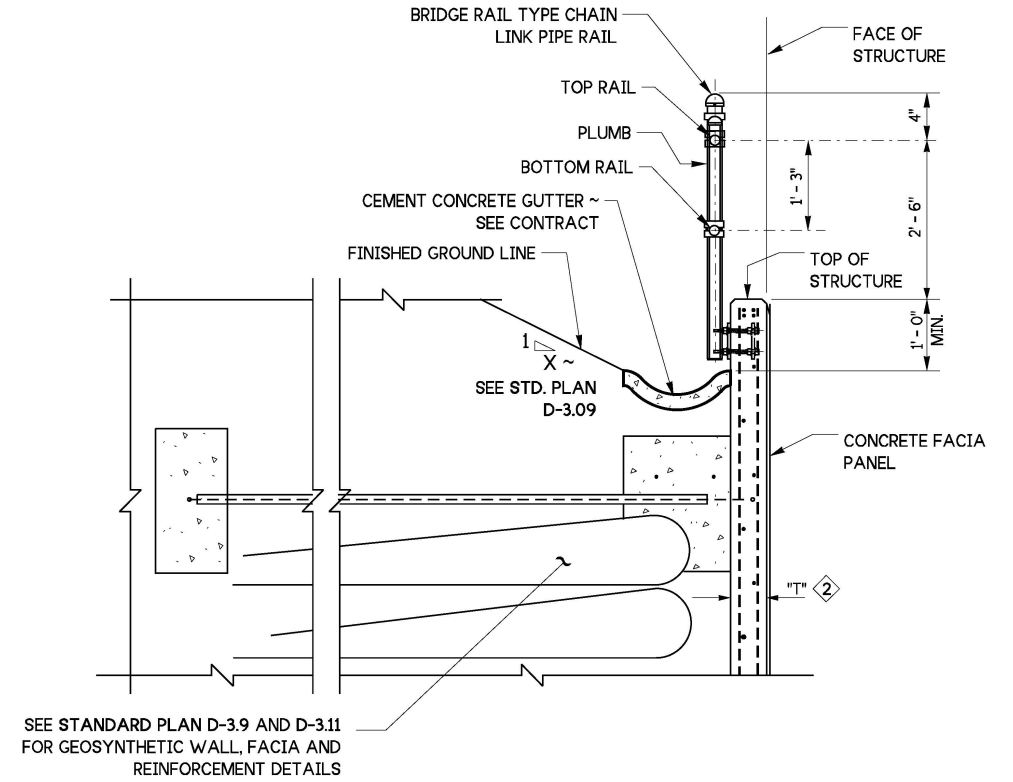
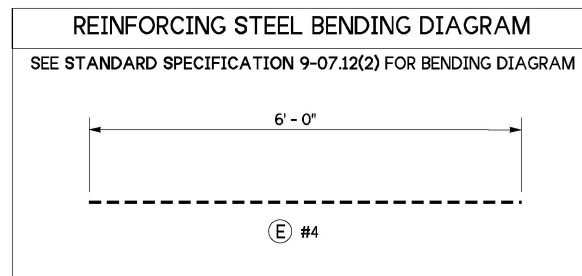
STATE DESIGN ENGINEER

Washington State Department of Transportation



TYPICAL ELEVATION

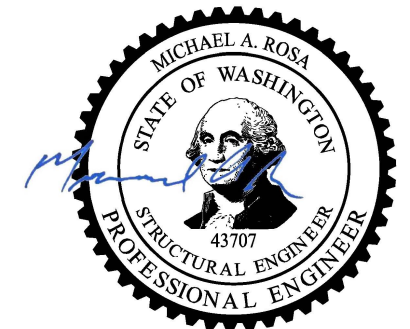
INSTALLED ON PRECAST PERMANENT GEOSYNTHETIC WALL FACIA  
SEE STANDARD PLAN D-3.11 FOR FACIA DETAILS AND REINFORCEMENT



SECTION D

KEY NOTES

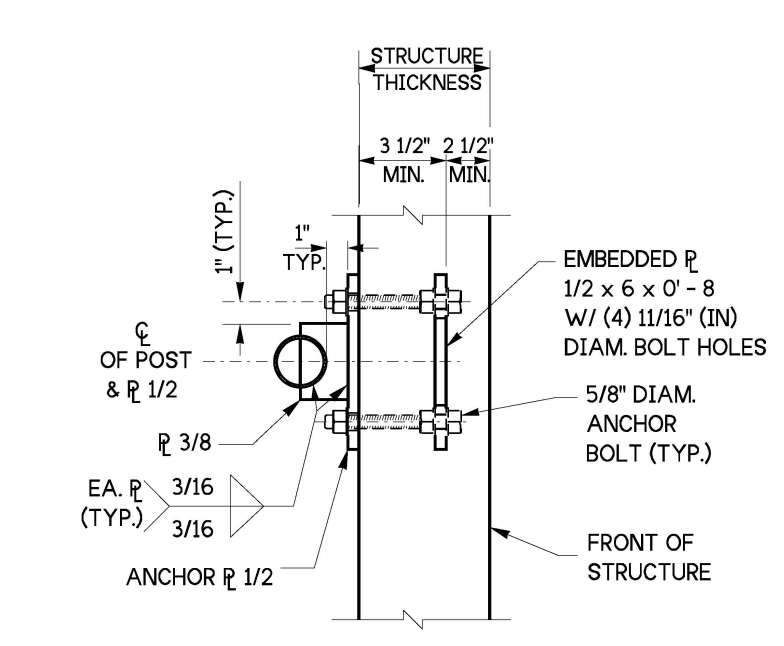
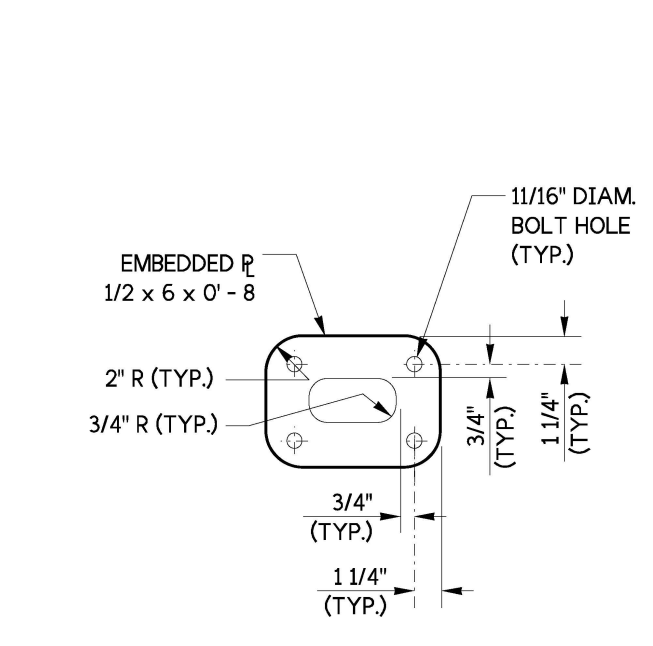
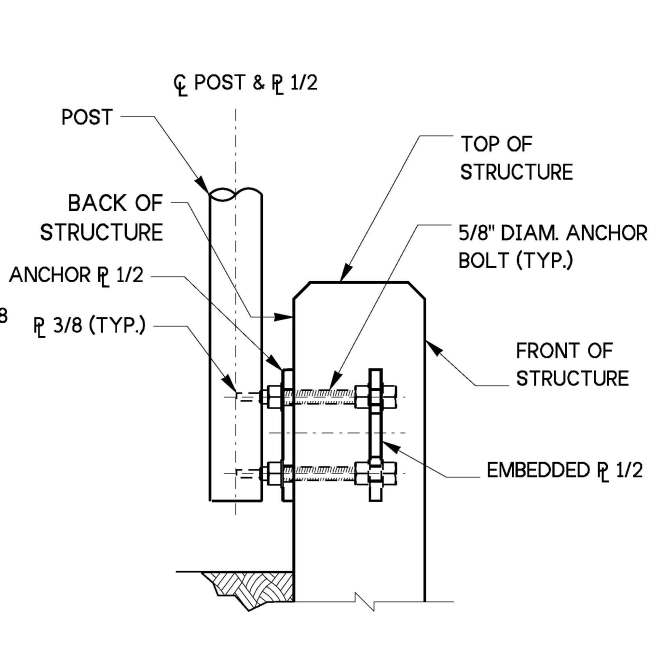
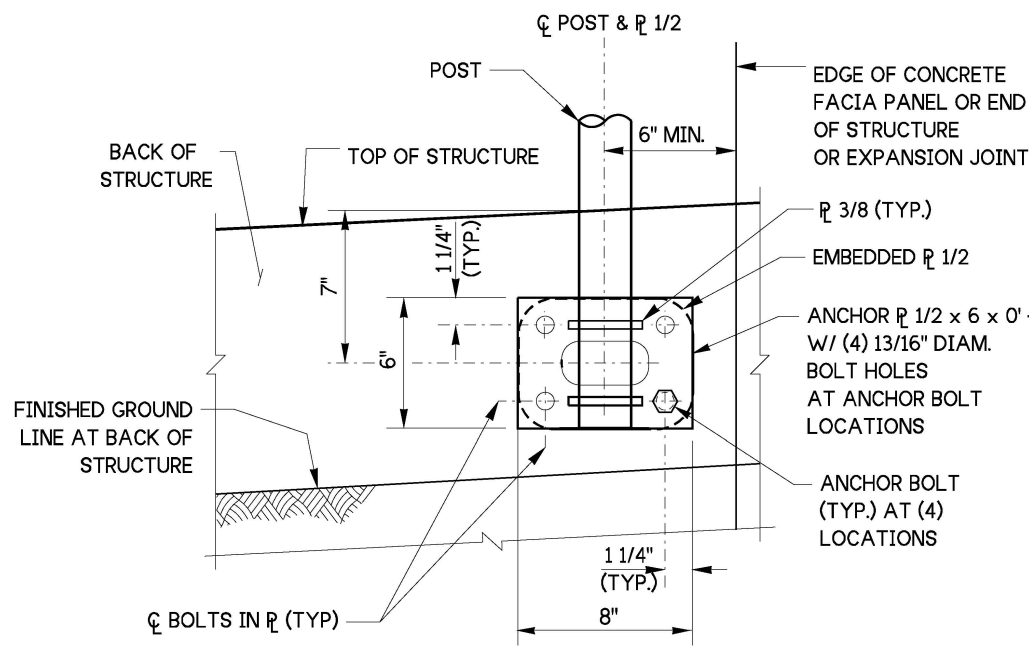
- ① SEE STANDARD PLAN D-3.11 FOR SPACING "S"
- ② SEE STANDARD PLAN D-3.11 FOR PANNEL THICKNESS "T"



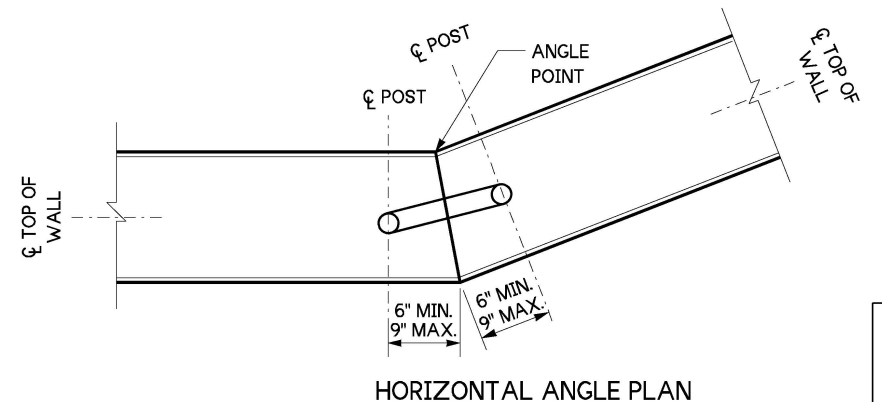
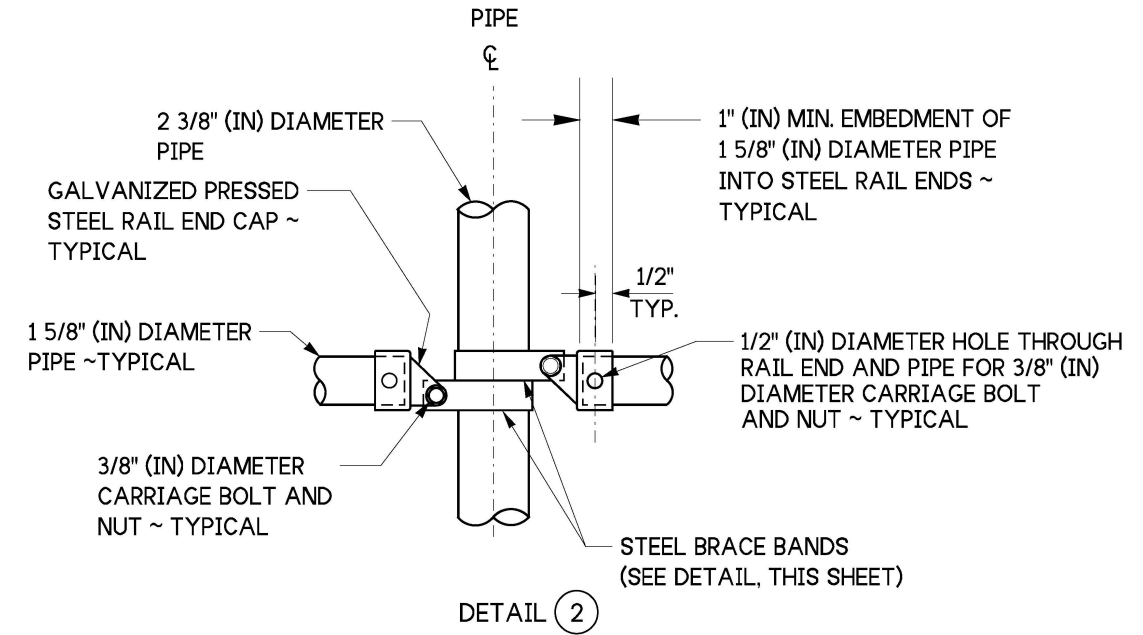
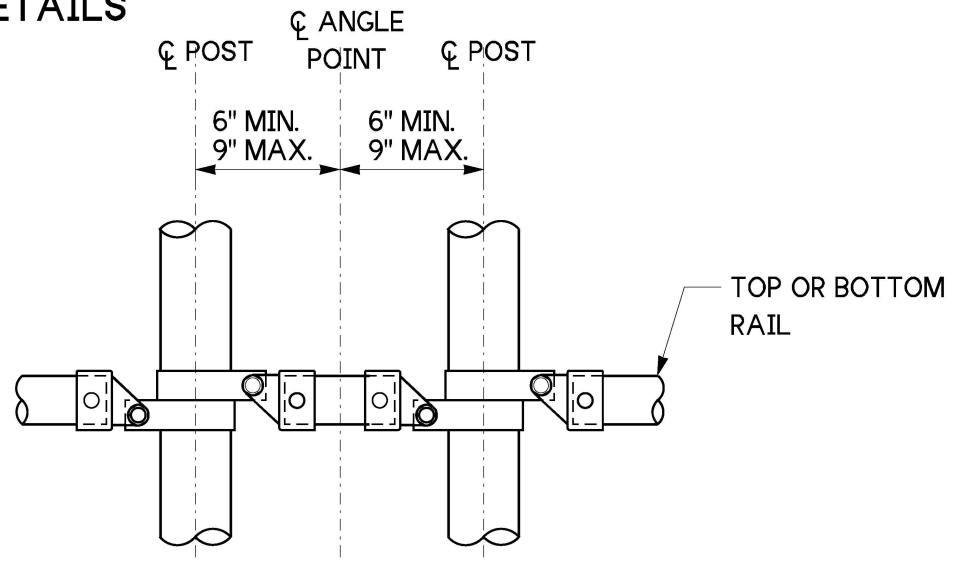
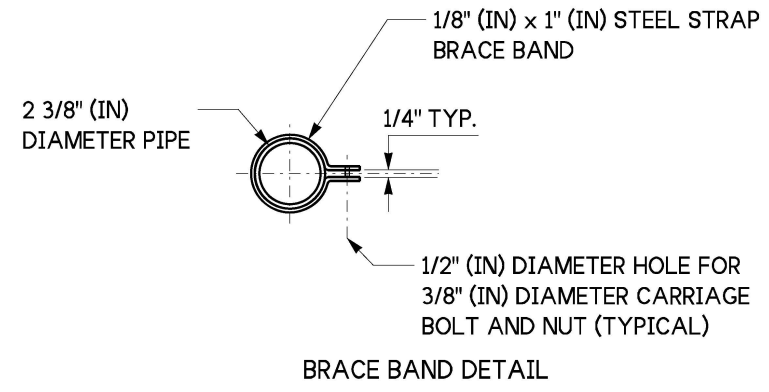
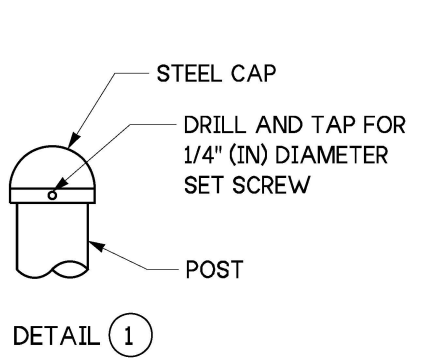
Jul 10, 2023  
**BRIDGE RAILING TYPE  
 CHAIN LINK  
 PIPE RAIL**  
**STANDARD PLAN L-5.10-01**

SHEET 3 OF 5 SHEETS

APPROVED FOR PUBLICATION  
*Mark A. Davis* Jul 17, 2023  
 STATE DESIGN ENGINEER  
 Washington State Department of Transportation



POST SIDE MOUNT ATTACHMENT DETAILS

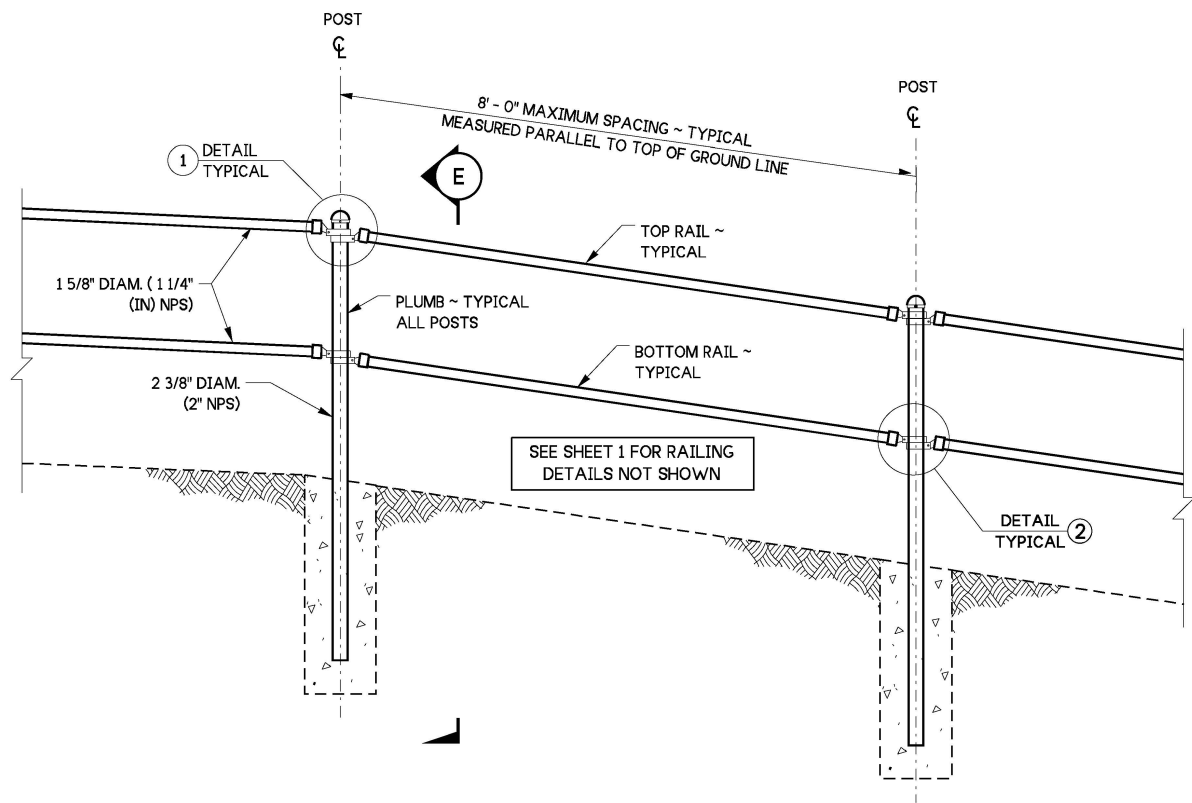


Jul 10, 2023  
 BRIDGE RAILING TYPE  
 CHAIN LINK  
 PIPE RAIL  
 STANDARD PLAN L-5.10-01

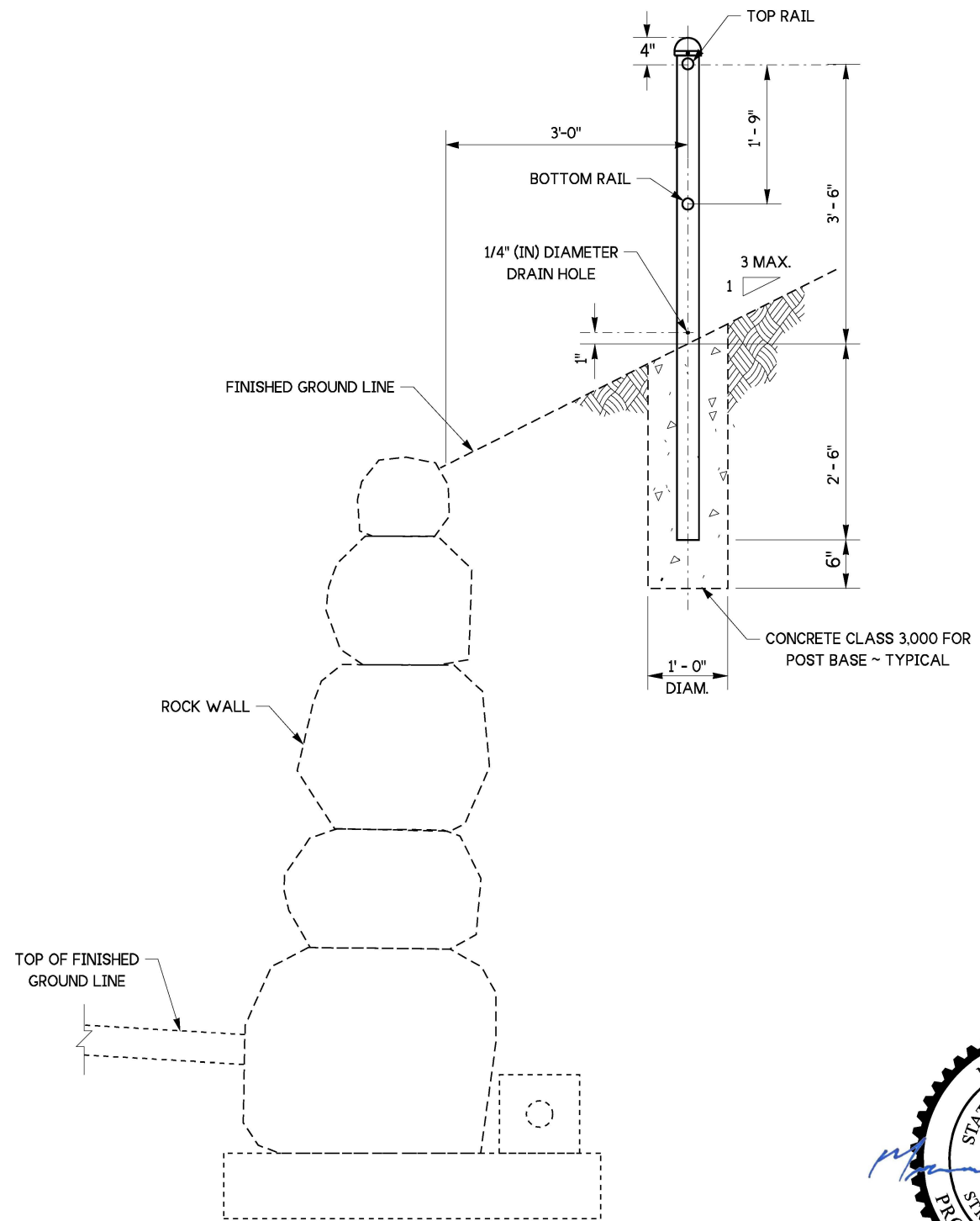
SHEET 4 OF 5 SHEETS

APPROVED FOR PUBLICATION  
*Mark A. Davies*  
 Jul 17, 2023  
 STATE DESIGN ENGINEER  
 Washington State Department of Transportation

NOTE: These details are applicable to rock walls only.



TYPICAL ELEVATION  
(INSTALLED IN GROUND BEHIND ROCK WALL)



SECTION E



Jul 10, 2023  
 BRIDGE RAILING TYPE  
 CHAIN LINK  
 PIPE RAIL  
 STANDARD PLAN L-5.10-01

SHEET 5 OF 5 SHEETS

APPROVED FOR PUBLICATION  
*Mark A. Rosa* Jul 17, 2023  
 STATE DESIGN ENGINEER  
 Washington State Department of Transportation