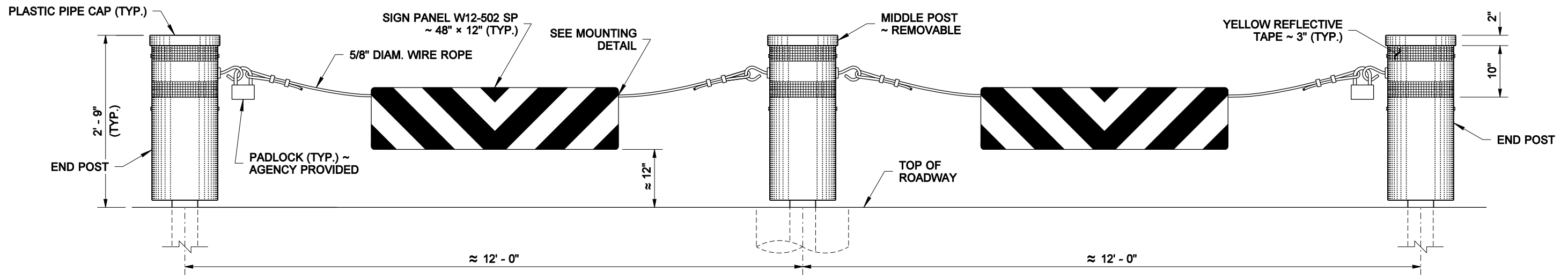
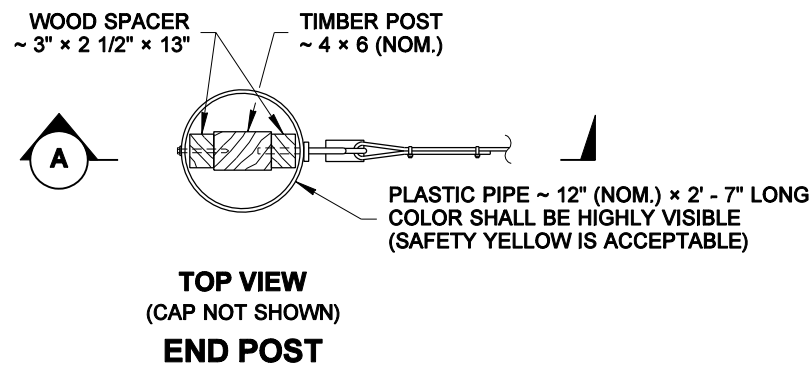


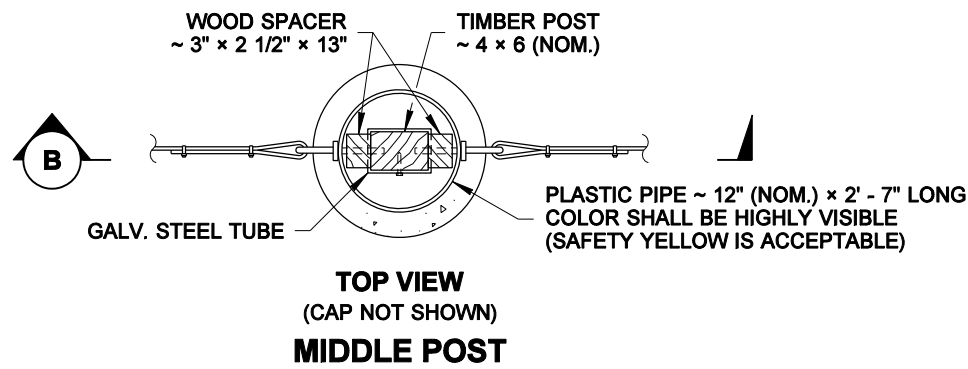
DRAWN BY: BILL BERENS



ELEVATION



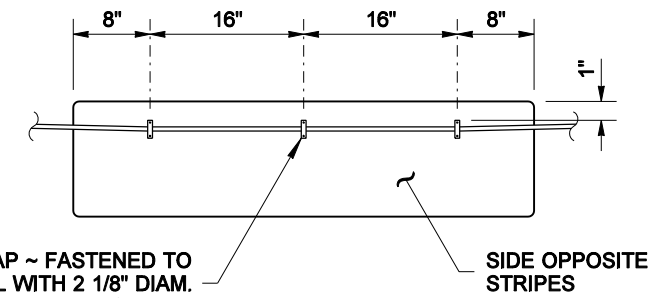
**TOP VIEW
(CAP NOT SHOWN)
END POST**



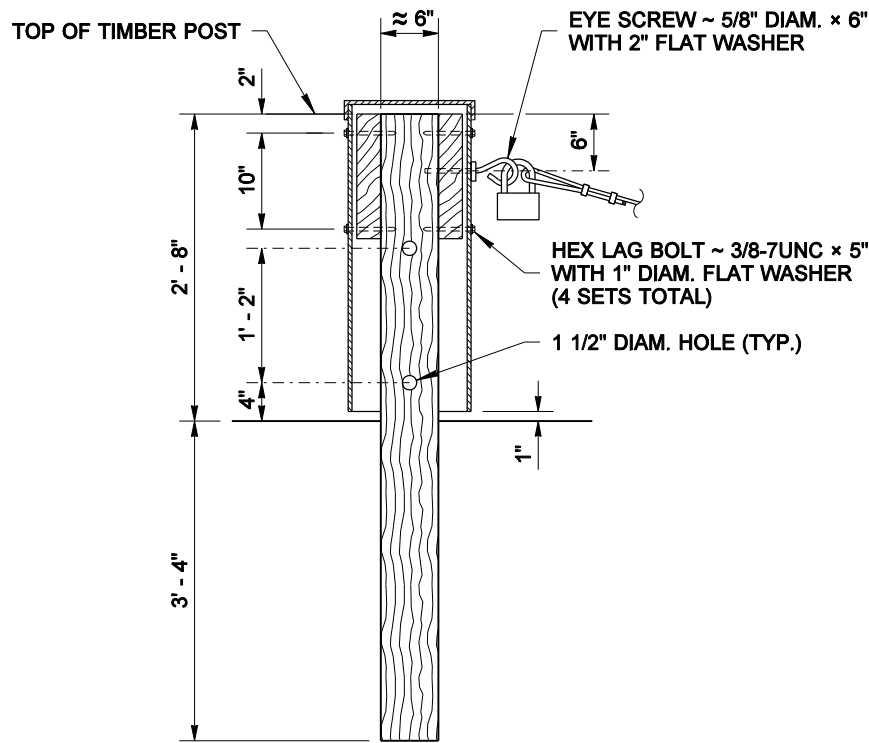
**TOP VIEW
(CAP NOT SHOWN)
MIDDLE POST**

NOTE

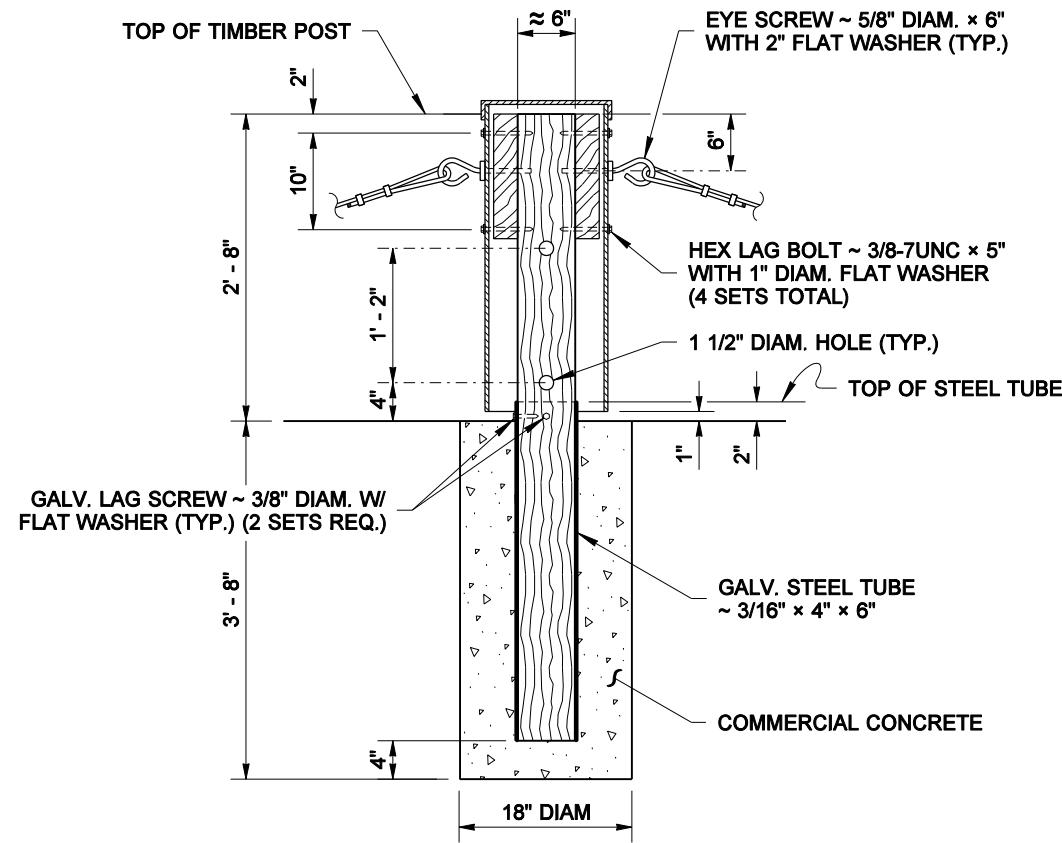
Hardware shall be stainless steel or galvanized in accordance with AASHTO M232.



SIGN PANEL MOUNTING DETAIL



SECTION A



SECTION B



NOTE: THIS PLAN IS NOT A LEGAL ENGINEERING DOCUMENT UNTIL IT IS APPROVED BY THE ENGINEER AND APPROVED BY THE BOARD OF ENGINEERS AND SURVEYORS OF THE STATE OF WASHINGTON. THE ENGINEER HAS REVIEWED THIS PLAN AND FILED AT THE WASHINGTON STATE DEPARTMENT OF TRANSPORTATION. A COPY MAY BE OBTAINED UPON REQUEST.

**ACCESS CONTROL
DOUBLE GATE
STANDARD PLAN L-70.20-01**

SHEET 1 OF 1 SHEET

APPROVED FOR PUBLICATION

Pasco Bakotich III 05-21-08
STATE DESIGN ENGINEER DATE

