

CHECK REQUIRED SPECIFICATION	
STANDARD	
WSDOT / STATE CONTRACT NUMBER	_____
SLIPNOT	
GALVANIZED DIAMOND PLATE	
BLACK	

GENERAL NOTES:

LID TO BE PER TRAVIS INDUSTRIES PRODUCT, PART NUMBERS:

- 716-S0120 ~~700-00001~~ (DP) - DIAMOND PLATE
- 716-S0121 ~~700-00031~~ (SN) - SLIPNOT
- FRAME PART #:
- ~~700-00003~~ (DP) - DIAMOND PLATE 716-WSDOT101 (SN)
- 716-S0028 ~~700-00032~~ (SN) - SLIPNOT

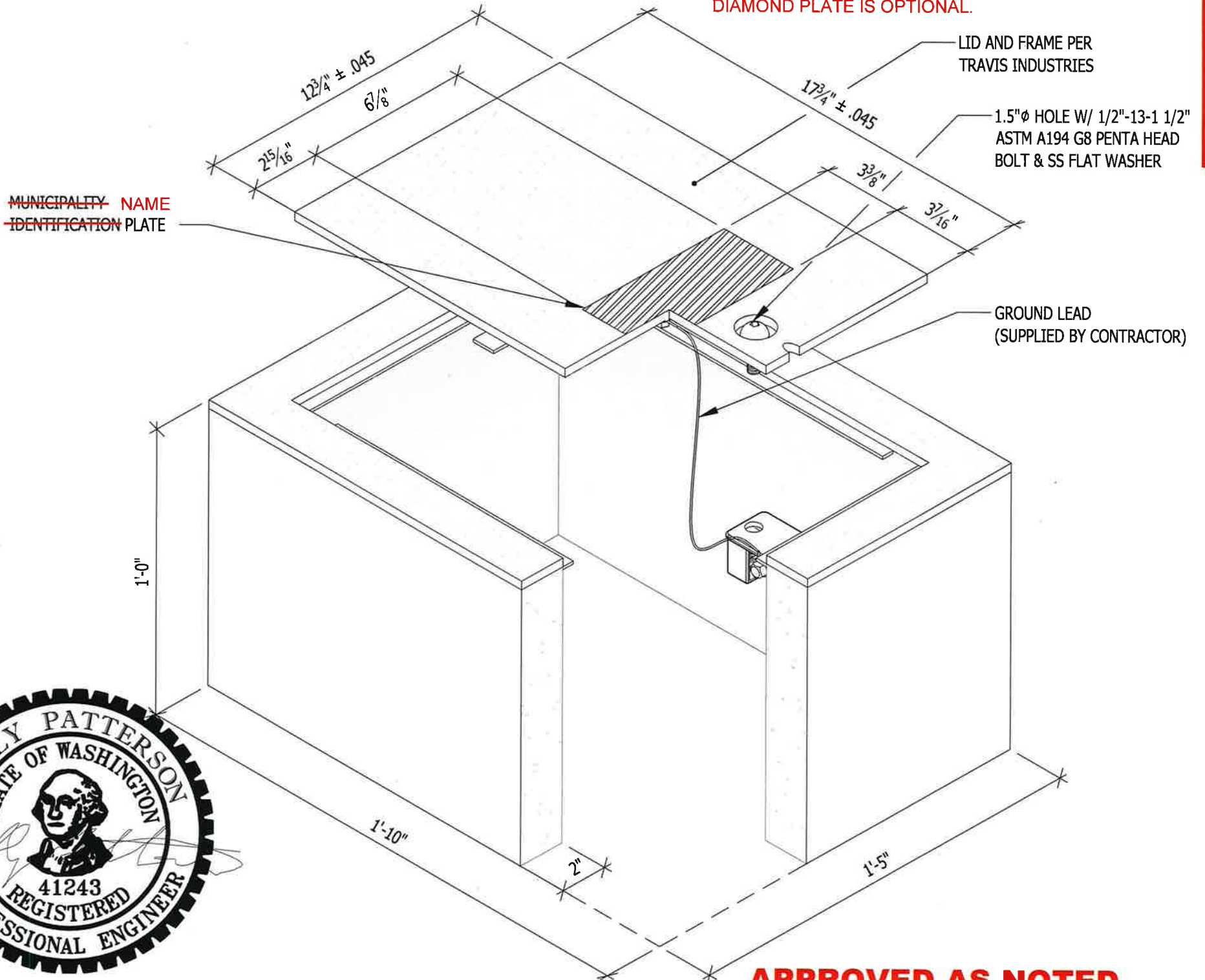
CONCRETE WITH FIBERMESH REINF.

f'c @ 28 DAYS = 4000 PSI

LID AND FRAME SHALL BE HOT-DIPPED GALVANIZED PER 9-29.2(1)A

NOTE: GALVANIZING ONLY REQUIRED FOR SLIPNOT LID AND FRAME; GALVANIZING DIAMOND PLATE IS OPTIONAL.

LID ASSEMBLY DRAWING: 700-00131 (DP); 700-00132 (SN)
 FRAME ASSEMBLY DRAWING: 700-00003 (DP); 700-00035 (SN)



GENERAL NOTES:

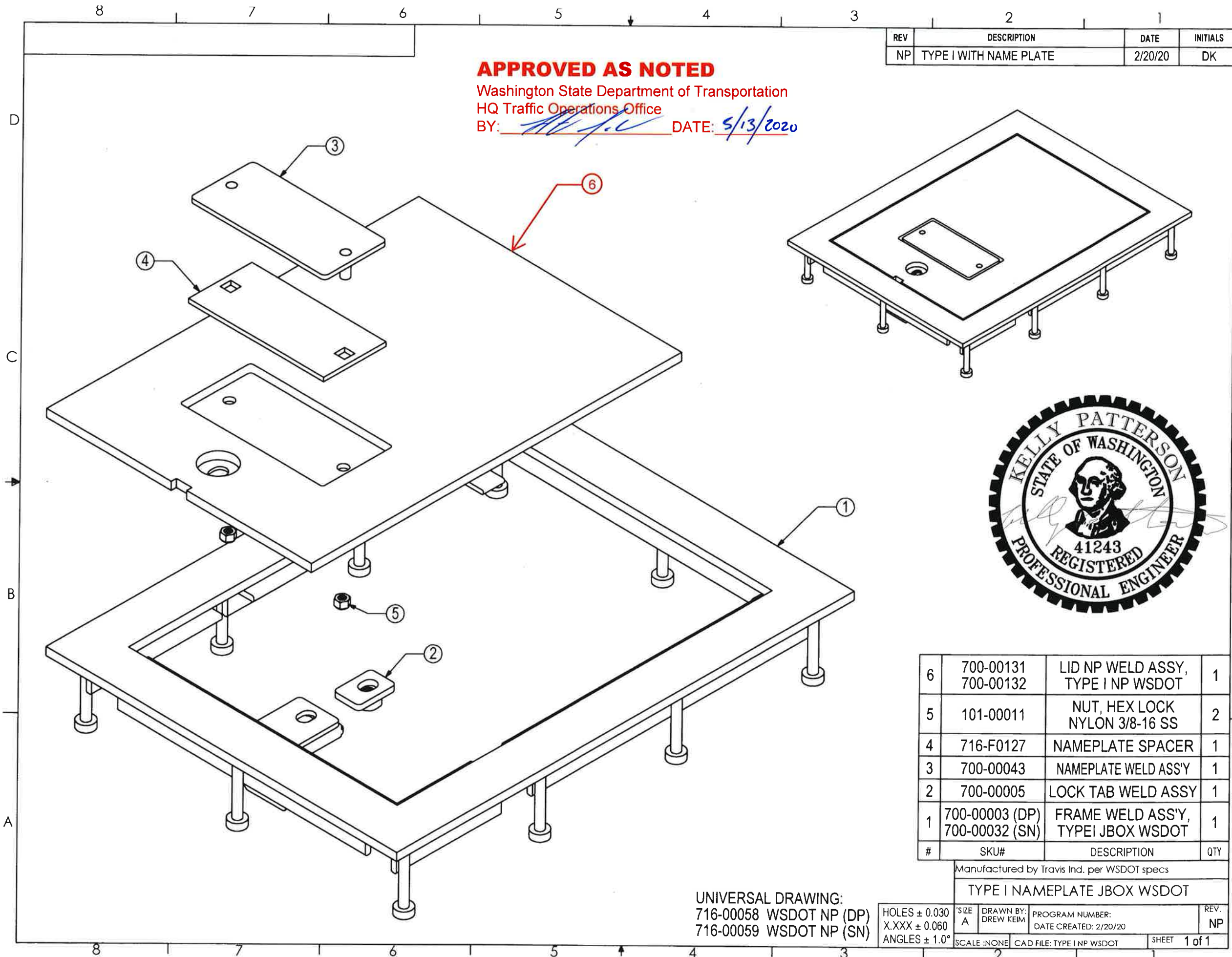
THIS ASSEMBLY IS CONSTRUCTED AND TESTED TO CONFORM WITH WSDOT STANDARD SPEC. 9-29.2(2), STANDARD DUTY JUNCTION BOXES 9-29.2(1)

APPROVED AS NOTED

Washington State Department of Transportation
 HQ Traffic Operations Office
 BY: [Signature] DATE: 5/13/2020

H² Pre-Cast Inc.
 3835 N. Clemons
 East Wenatchee, WA

Phone: (509) 884-6644
 Fax: (509) 884-4567
 Web: www.h2precast.com
 © 2007 H² Pre-Cast Inc.



APPROVED AS NOTED

Washington State Department of Transportation
 HQ Traffic Operations Office
 BY: [Signature] DATE: 5/13/2020

REV	DESCRIPTION	DATE	INITIALS
NP	TYPE I WITH NAME PLATE	2/20/20	DK



6	700-00131 700-00132	LID NP WELD ASSY, TYPE I NP WSDOT	1
5	101-00011	NUT, HEX LOCK NYLON 3/8-16 SS	2
4	716-F0127	NAMEPLATE SPACER	1
3	700-00043	NAMEPLATE WELD ASS'Y	1
2	700-00005	LOCK TAB WELD ASSY	1
1	700-00003 (DP) 700-00032 (SN)	FRAME WELD ASS'Y, TYPE I JBOX WSDOT	1
#	SKU#	DESCRIPTION	QTY

Manufactured by Travis Ind. per WSDOT specs

TYPE I NAMEPLATE JBOX WSDOT

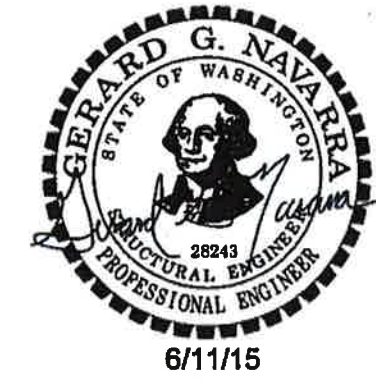
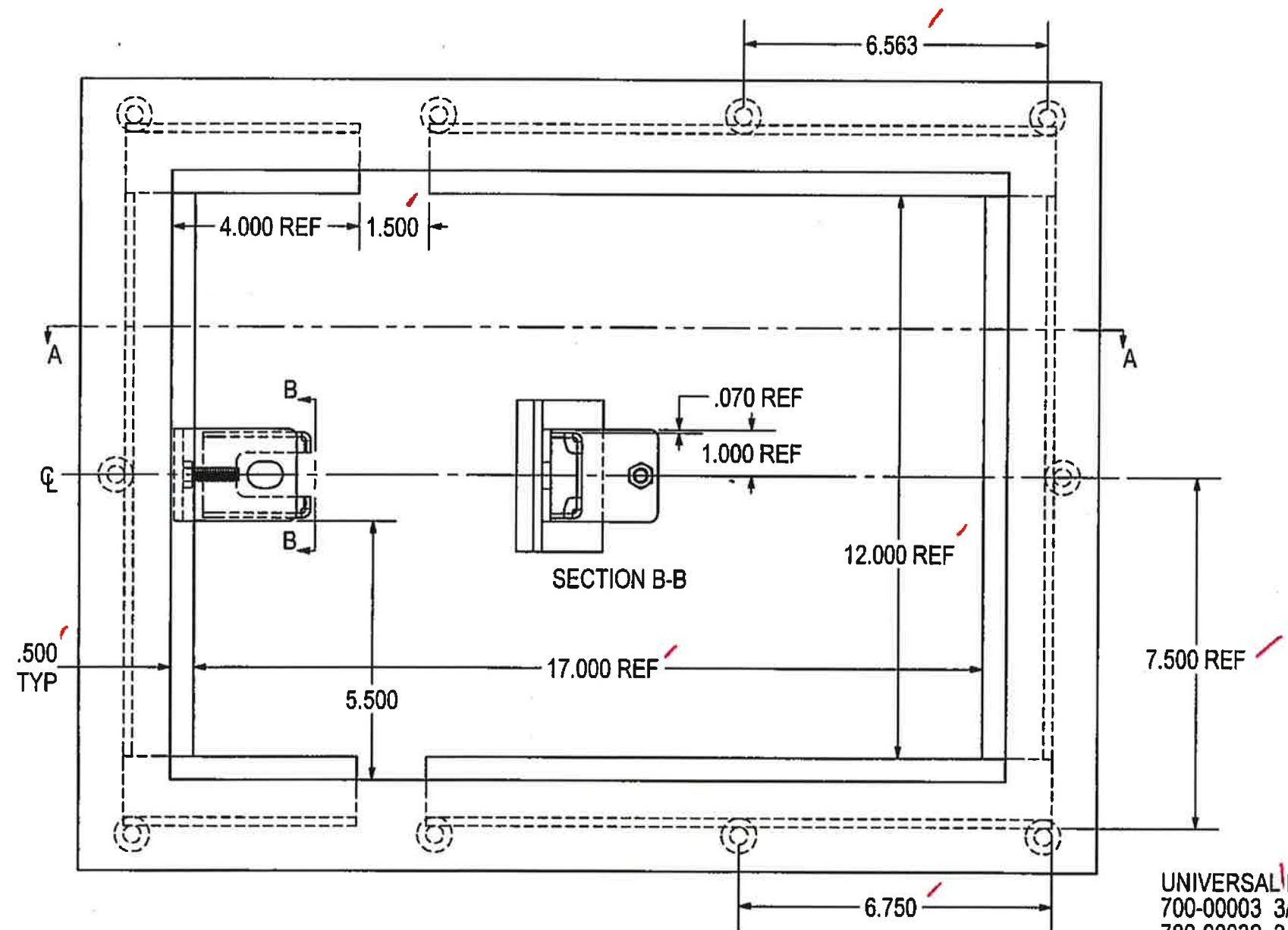
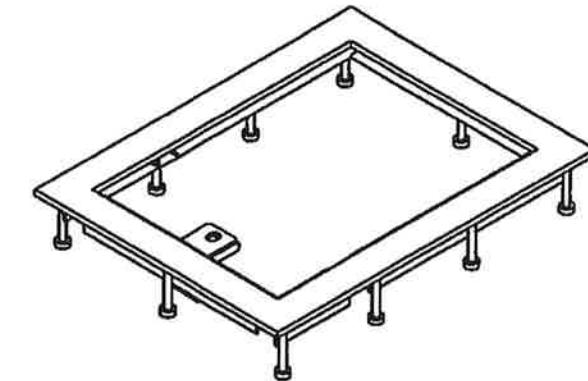
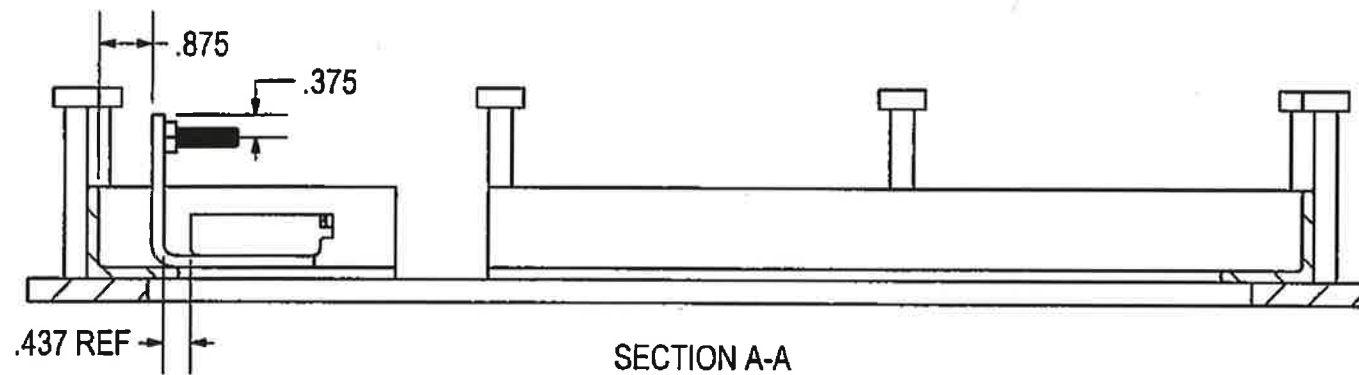
UNIVERSAL DRAWING:
 716-00058 WSDOT NP (DP)
 716-00059 WSDOT NP (SN)

Holes ± 0.030	SIZE A	DRAWN BY: DREW KEIM	PROGRAM NUMBER:	REV. NP
X.XXX ± 0.060			DATE CREATED: 2/20/20	
ANGLES ± 1.0°	SCALE: NONE	CAD FILE: TYPE I NP WSDOT	SHEET 1 of 1	

THE INFORMATION CONTAINED IN THIS DRAWING IS THE SOLE PROPERTY OF H² PRECAST INC. ANY REPRODUCTION IN PART OR WHOLE WITHOUT THE WRITTEN PERMISSION OF FM&M IS PROHIBITED.

This assembly is constructed and tested to conform with WSDOT Standard Specification 9-29.2(2), Standard Duty Junction Boxes. 9-29.2(1)

REV	DESCRIPTION	DATE	INITIALS
A	MODIFIED LATCH GUIDE & WELDING.	7/14	DK



APPROVED AS NOTED
 Washington State Department of Transportation
 HQ Traffic Operations Office
 BY: *[Signature]* DATE: 5/13/2020

UNIVERSAL DRAWING:
 700-00003 3/8" DP
 700-00032 3/8" SN

Prepared for H ² PRECAST INC.			
FRAME WELD ASS'Y, TYPE I JBOX WSDOT			
SIZE A	DRAWN BY: DREW KEM	PROGRAM NUMBER: DATE CREATED: 4/29/14	REV. A
SCALE: NONE	CAD FILE: FRAME (A). TI JBOX WSDOT	SHEET 1 of 2	

THIS DRAWING CREATED FOR MANUFACTURING REFERENCE ONLY AND IS NOT INTENDED TO SUPERCEDE H² PRECAST INC. DRAWINGS OR SPECIFICATIONS OF THE REFERENCED PART.

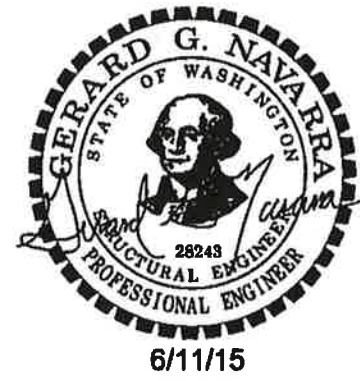
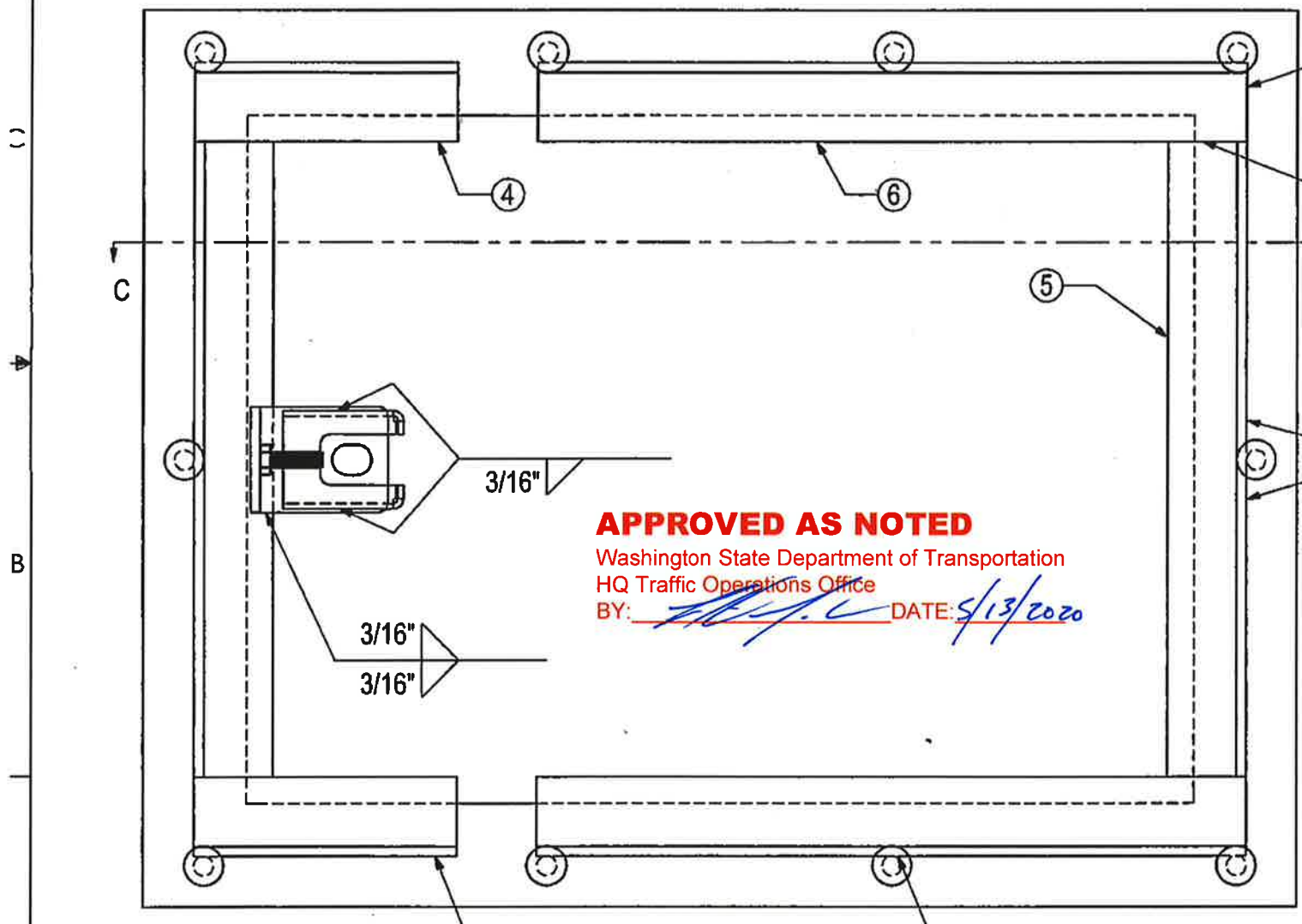
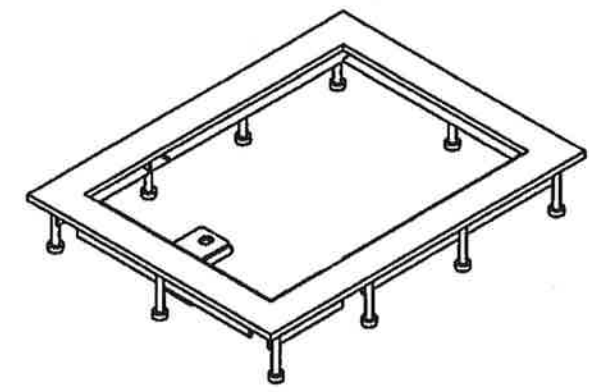
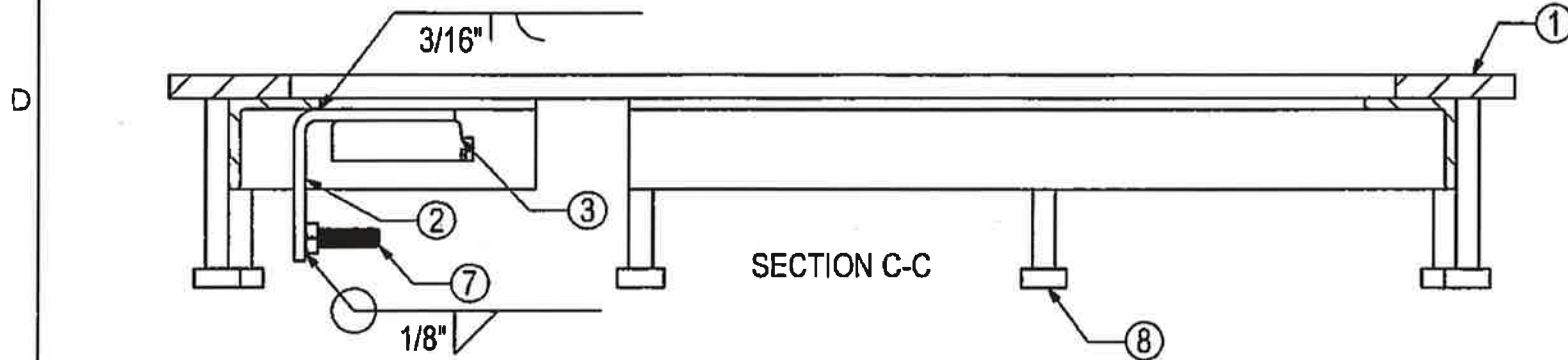
HOLES ± 0.030
 X.XXX ± 0.060
 ANGLES ± 1.0°

8 1 7 1 6 1 5 1 4 1 3 1 2 1

THE INFORMATION CONTAINED IN THIS DRAWING IS THE SOLE PROPERTY OF H² PRECAST INC. ANY REPRODUCTION IN PART OR WHOLE WITHOUT THE WRITTEN PERMISSION OF FM&M IS PROHIBITED.

This assembly is constructed and tested to conform with WSDOT Standard Specification 9-29.2(2) Standard Duty Junction Boxes. 9-29.2(1)

REV	DESCRIPTION	DATE	INITIALS
A	MODIFIED LATCH GUIDE & WELDING.	7/14	DK



APPROVED AS NOTED
 Washington State Department of Transportation
 HQ Traffic Operations Office
 BY: *[Signature]* DATE: 5/13/2020

#	SKU#	DESCRIPTION	MATERIAL	QTY.
8	101-00575	WELD-STUD, 3/8x3-1/8	C1015	10
7	101-00271	Ø5/16-18X1" HHCS 316SS	316SS	1
6	211-02166	FRAME ANGLE, 1-1/2x1-1/2x3/16 x 13.500 LONG	A36HR	2
5	211-02165	FRAME ANGLE, 1-1/2x1-1/2x3/16 x 12.000 LONG	A36HR	2
4	211-02164	FRAME ANGLE, 1-1/2x1-1/2x3/16 x 5.000 LONG	A36HR	2
3	716-L004	LATCH GUIDE	A36HR	1
2	716-L001	LATCH HOUSING	A36HR	1
1	716-WSDOT101 716-S0028	FRAME, TYPE I J-BOX DP FRAME, TYPE I J-BOX SN	ASTM A786 FP	1
#	SKU#	DESCRIPTION	MATERIAL	QTY.

1" FROM EDGE, (2) PLS
 3/16" 1"

WELD DETAILS

3/16" 3/16" (10) PLS

UNIVERSAL DRAWING:
 700-00003 3/8" DP
 700-00032 3/8" SN

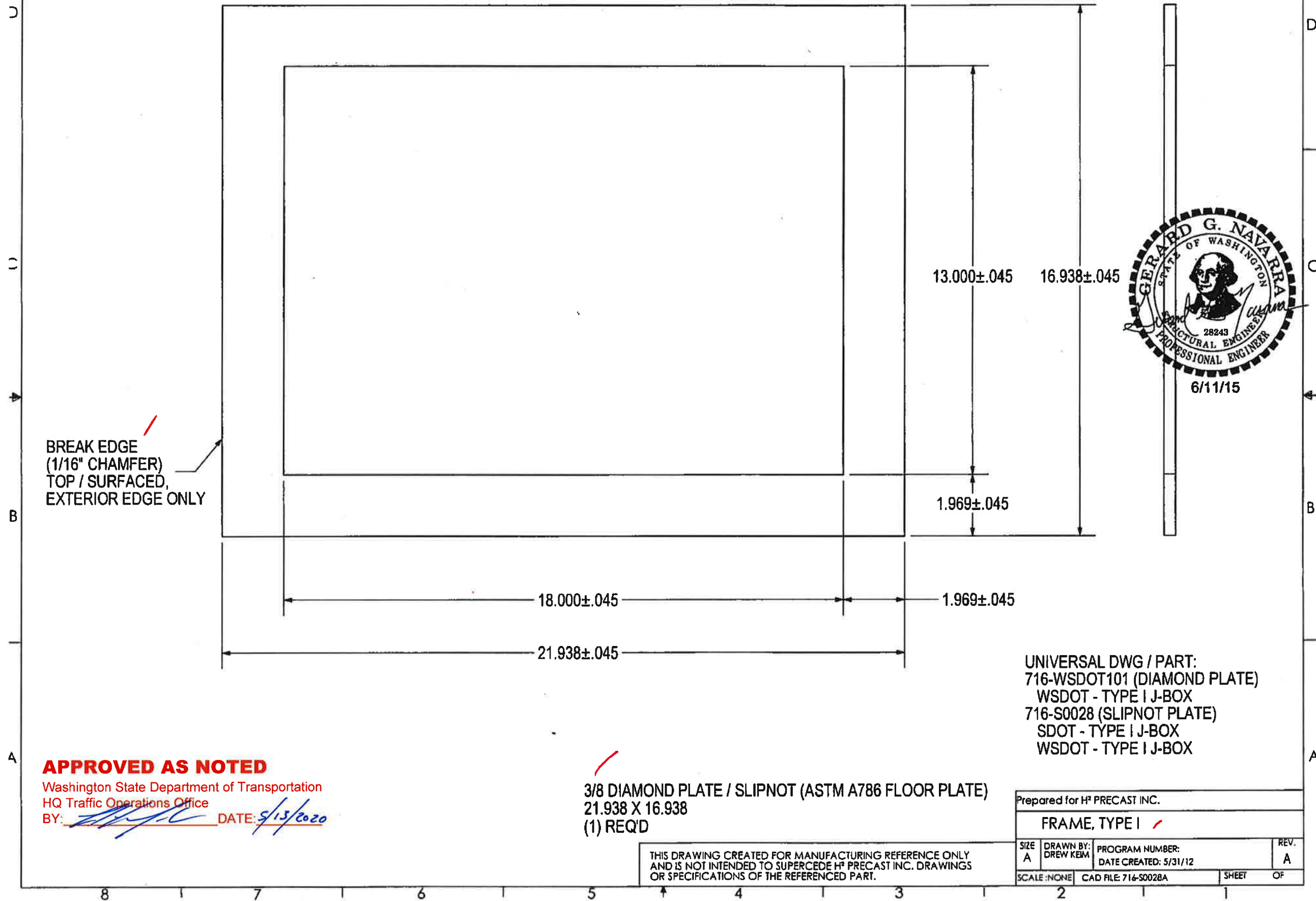
THIS DRAWING CREATED FOR MANUFACTURING REFERENCE ONLY AND IS NOT INTENDED TO SUPERCEDE H² PRECAST INC. DRAWINGS OR SPECIFICATIONS OF THE REFERENCED PART.

Holes ± 0.030 X.XXX ± 0.060 Angles ± 1.0°	SIZE A	DRAWN BY: DREW KEIM	PROGRAM NUMBER: DATE CREATED: 4/29/14	REV. A
Prepared for H ² PRECAST INC.				
FRAME WELD ASS'Y, TYPE I JBOX WSDOT				
CAD FILE: FRAME [A]. TI JBOX WSDOT				SHEET 2 of 2

THE INFORMATION CONTAINED IN THIS DRAWING IS THE SOLE PROPERTY OF H² PRECAST INC. ANY REPRODUCTION IN PART OR WHOLE WITHOUT THE WRITTEN PERMISSION OF FM&M IS PROHIBITED.

This assembly is constructed and tested to conform with WSDOT Standard Specification 9-29.2(2), Standard Duty Junction Boxes.
9-29.2(1)

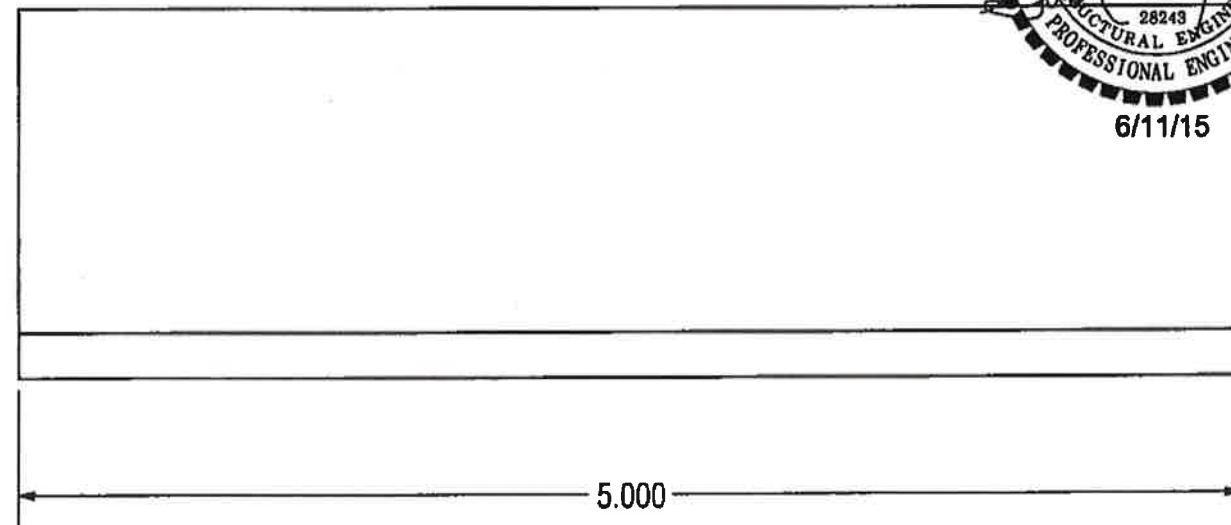
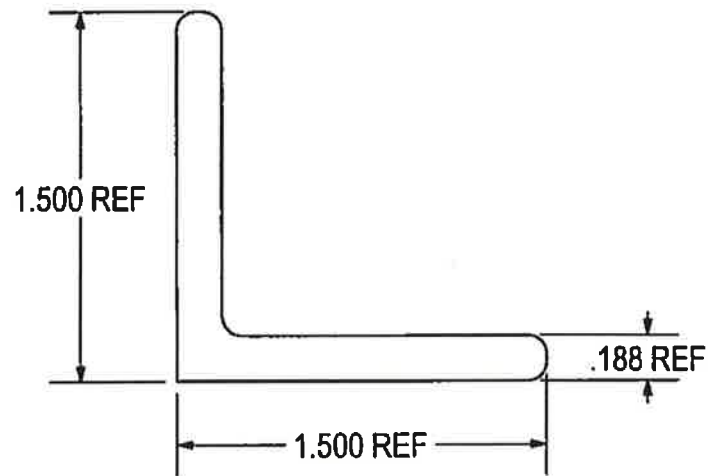
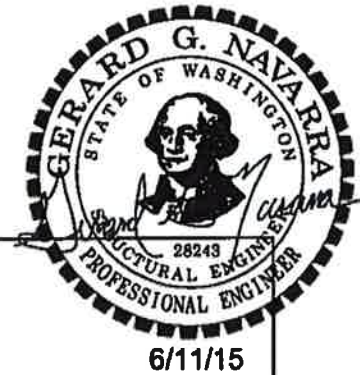
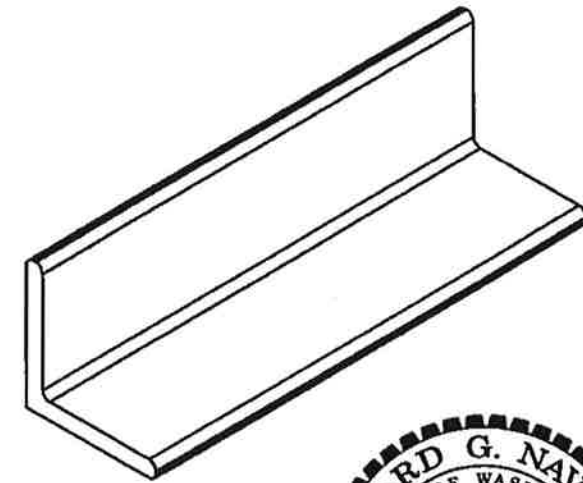
REV	DESCRIPTION	DATE	INITIALS
A	ADDED CHAMFER NOTE	7/14	DK



THE INFORMATION CONTAINED IN THIS DRAWING IS THE SOLE PROPERTY OF H² PRECAST INC. ANY REPRODUCTION IN PART OR WHOLE WITHOUT THE WRITTEN PERMISSION OF FM&M IS PROHIBITED.

This assembly is constructed and tested to conform with WSDOT Standard Specification ~~9-29.2(2)~~ Standard Duty Junction Boxes. 9-29.2(1)

REV	DESCRIPTION	DATE	INITIALS
A	3/16 THICKNESS WAS 1/4. UPDATED DESCRIPTION.	7/14	DK



APPROVED AS NOTED

Washington State Department of Transportation
 HQ Traffic Operations Office
 BY: [Signature] DATE: 5/13/2020

ANGLE, 1-1/2 x 1-1/2 x 3/16 X 5.000 LONG
 (2) REQ'D

Prepared for H ² PRECAST INC.			
FRAME ANGLE, 1-1/2x1-1/2x3/16 x 5.000 LONG			
SIZE A	DRAWN BY: DREW KEW	PROGRAM NUMBER: 211-02164	REV. A
DATE CREATED: 5/7/14		SHEET 1 of 1	

THIS DRAWING CREATED FOR MANUFACTURING REFERENCE ONLY AND IS NOT INTENDED TO SUPERCEDE H² PRECAST INC. DRAWINGS OR SPECIFICATIONS OF THE REFERENCED PART.

HOLES ± 0.030
 X.XXX ± 0.060
 ANGLES ± 1.0°

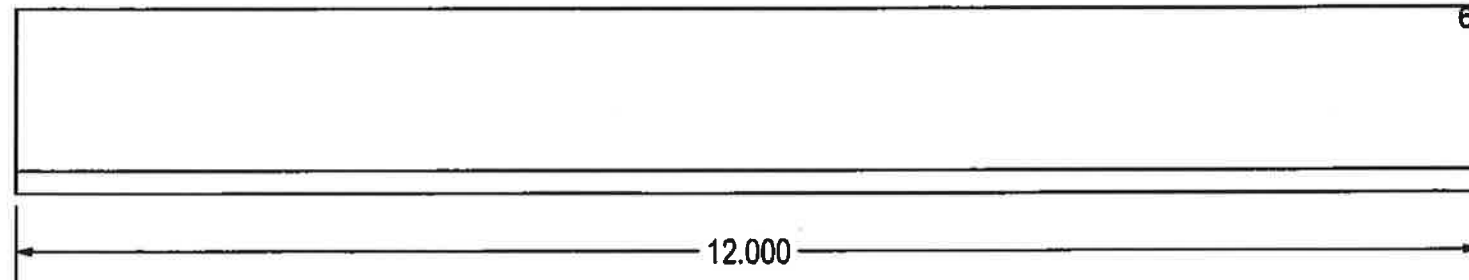
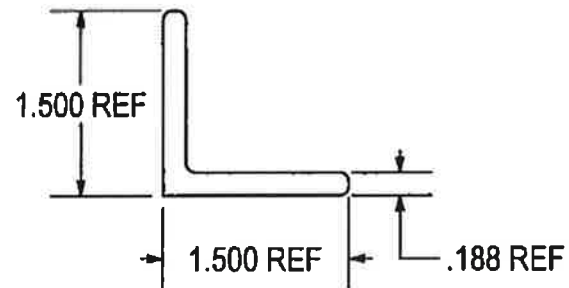
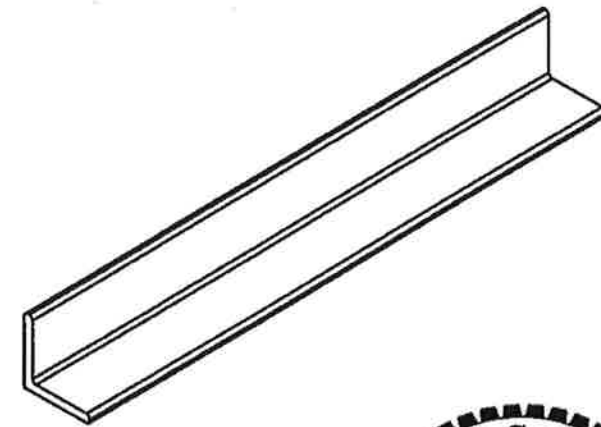
SCALE: NONE CAD FILE: 716-F0055A

8 7 6 5 4 3 2 1

THE INFORMATION CONTAINED IN THIS DRAWING IS THE SOLE PROPERTY OF H² PRECAST INC. ANY REPRODUCTION IN PART OR WHOLE WITHOUT THE WRITTEN PERMISSION OF FM&M IS PROHIBITED.

This assembly is constructed and tested to conform with WSDOT Standard Specification 9-29.2(2), Standard Duty Junction Boxes.
9-29.2(1)

REV	DESCRIPTION	DATE	INITIALS
A	3/16 THICKNESS WAS 1/4. UPDATED DESCRIPTION.	7/14	DK



APPROVED AS NOTED

Washington State Department of Transportation
HQ Traffic Operations Office
BY: *[Signature]* DATE: 9/13/2020

ANGLE, 1-1/2 x 1-1/2 x 3/16 X 12.000 LONG
(2) REQ'D

Prepared for H ² PRECAST INC.			
FRAME ANGLE, 1-1/2x1-1/2x3/16 x 12.000 LONG			
SIZE A	DRAWN BY: DREW KEIM	PROGRAM NUMBER: DATE CREATED: 5/7/14	211-02165 REV. A
HOLES ± 0.030 X.XXX ± 0.060 ANGLES ± 1.0°		SCALE: NONE CAD FILE: 716-F0053A	SHEET 1 of 1

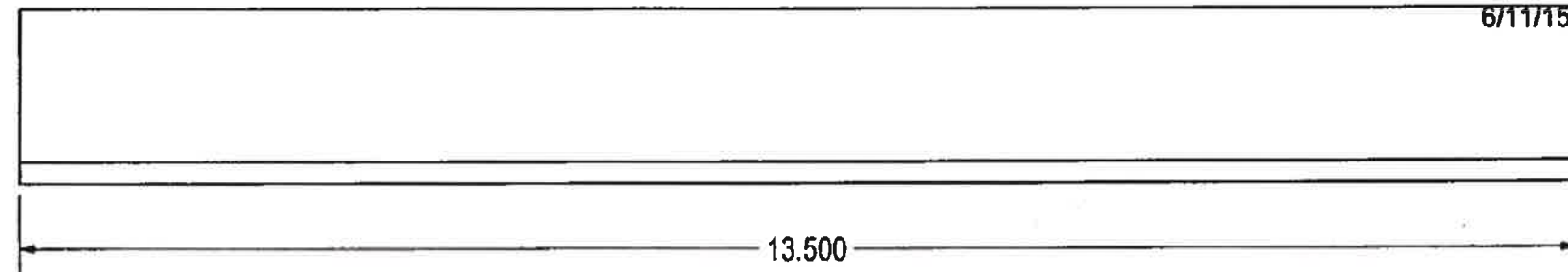
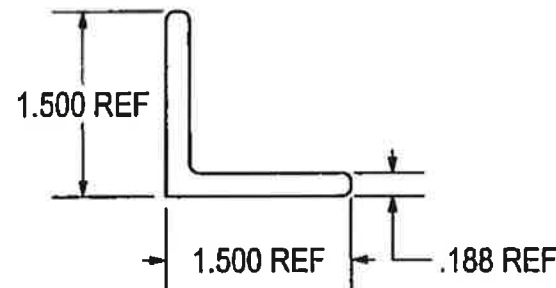
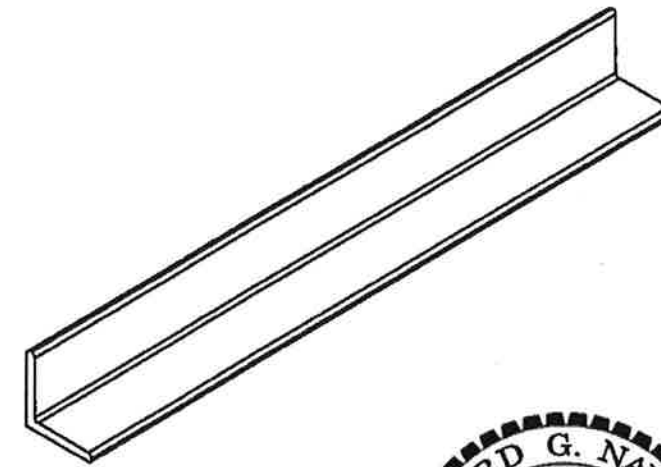
THIS DRAWING CREATED FOR MANUFACTURING REFERENCE ONLY AND IS NOT INTENDED TO SUPERCEDE H² PRECAST INC. DRAWINGS OR SPECIFICATIONS OF THE REFERENCED PART.

8 | 7 | 6 | 5 | 4 | 3 | 2 | 1

THE INFORMATION CONTAINED IN THIS DRAWING IS THE SOLE PROPERTY OF H² PRECAST INC. ANY REPRODUCTION IN PART OR WHOLE WITHOUT THE WRITTEN PERMISSION OF FM&M IS PROHIBITED.

This assembly is constructed and tested to conform with WSDOT Standard Specification 9-29.2(2), Standard Duty Junction Boxes. 9-29.2(1)

REV	DESCRIPTION	DATE	INITIALS
A	3/16 THICKNESS WAS 1/4. UPDATED DESCRIPTION.	7/14	DK



APPROVED AS NOTED

Washington State Department of Transportation
 HQ Traffic Operations Office
 BY: *[Signature]* DATE: 5/13/2020

ANGLE, 1-1/2 x 1-1/2 x ^{3/16}~~13/16~~ X 13.500 LONG
 (2) REQ'D

Prepared for H ² PRECAST INC.			
FRAME ANGLE, 1-1/2x1-1/2x3/16 x 13.500 LONG			
SIZE A	DRAWN BY: DREW KEM	PROGRAM NUMBER: 211-02166	REV. A
HOLES ± 0.030 X.XXX ± 0.060		DATE CREATED: 5/7/14	
ANGLES ± 1.0°		SCALE: NONE	CAD FILE: 716-F0054A
			SHEET 1 of 1

THIS DRAWING CREATED FOR MANUFACTURING REFERENCE ONLY AND IS NOT INTENDED TO SUPERCEDE H² PRECAST INC. DRAWINGS OR SPECIFICATIONS OF THE REFERENCED PART.

D
C
B
A

D
C
B
A

8 7 6 5 4 3 2 1

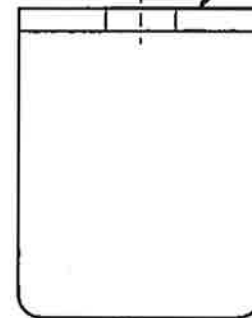
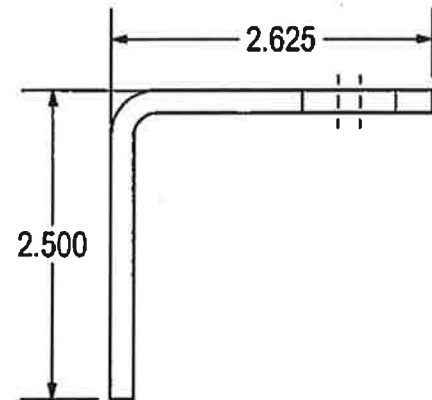
THE INFORMATION CONTAINED IN THIS DRAWING IS THE SOLE PROPERTY OF H² PRECAST INC. ANY REPRODUCTION IN PART OR WHOLE WITHOUT THE WRITTEN PERMISSION OF FM&M IS PROHIBITED.

This assembly is constructed and tested to conform with WSDOT Standard Specification 9-29.2(2), Standard Duty Junction Boxes. 9-29.2(1)

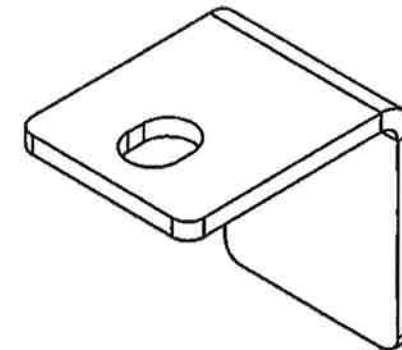
REV	DESCRIPTION	DATE	INITIALS
A	ADDED CHAMFER NOTE	7/14	DK

D
C
B
A

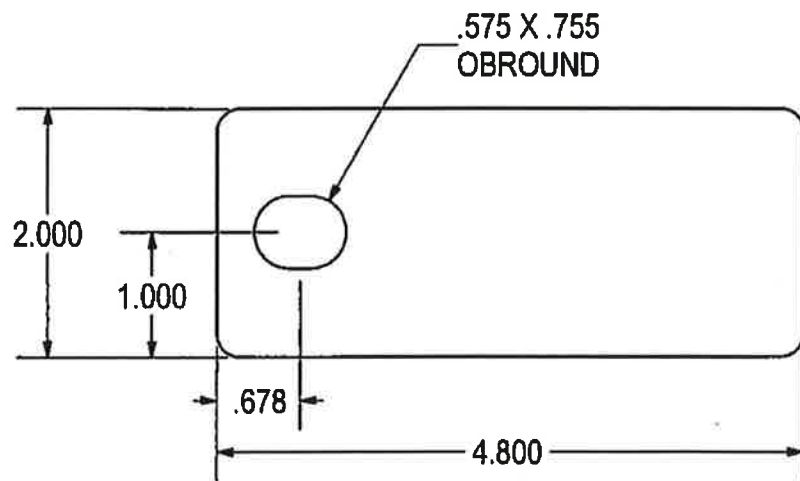
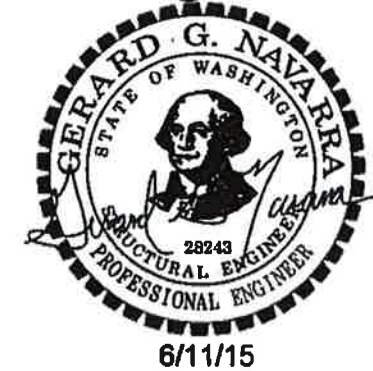
D
C
B
A



BREAK EDGE
(1/16" CHAMFER)
TOP / EXTERIOR
EDGES ONLY.
(3X) EDGES.



FORMED DETAILS



FLAT PATTERN

APPROVED AS NOTED

Washington State Department of Transportation
HQ Traffic Operations Office

BY: *[Signature]* DATE: 9/13/2020

3/16HR - 4.800 X 2.000
X = .325 @ 90° .188 R
(1) REQ'D

THIS DRAWING CREATED FOR MANUFACTURING REFERENCE ONLY AND IS NOT INTENDED TO SUPERCEDE H² PRECAST INC. DRAWINGS OR SPECIFICATIONS OF THE REFERENCED PART.

HOLES ± 0.030
X.XXX ± 0.060
ANGLES ± 1.0°

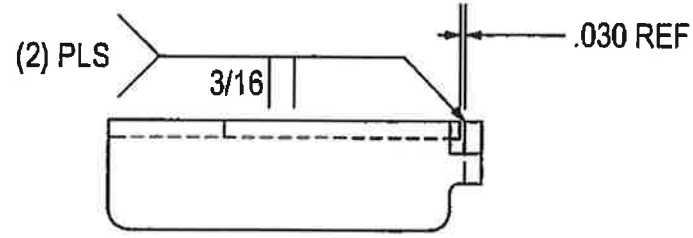
Prepared for H ² PRECAST INC.			
LATCH HOUSING			
SIZE A	DRAWN BY: DREW KEM	PROGRAM NUMBER: DATE CREATED: 5/21/12	716-L001 REV. A
SCALE: NONE	CAD FILE: 716-L001A	SHEET 1 of 1	

8 1 7 1 6 1 5 4 3 2 1

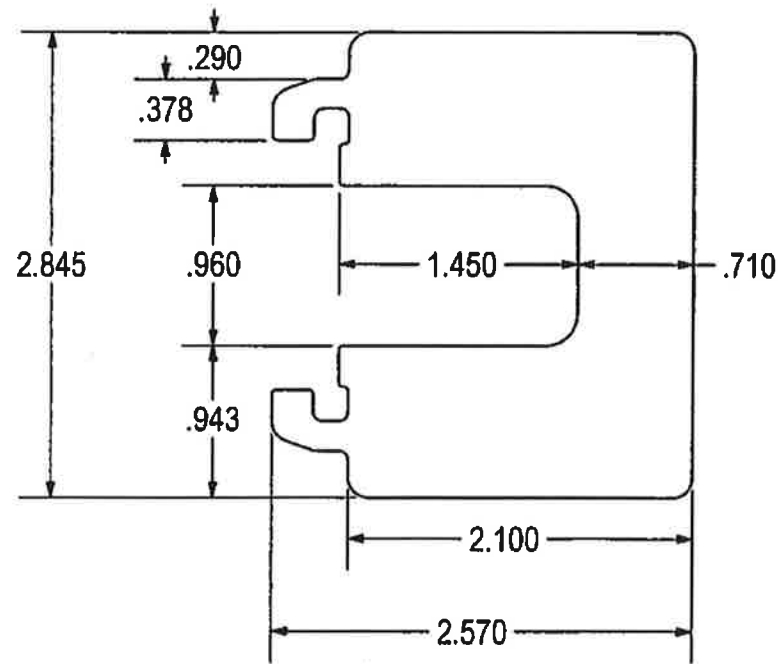
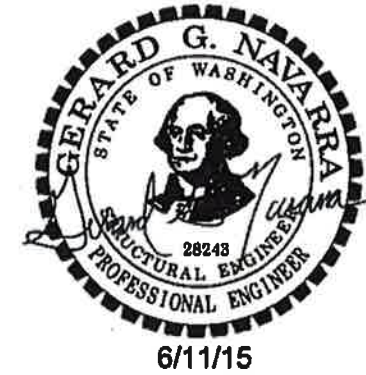
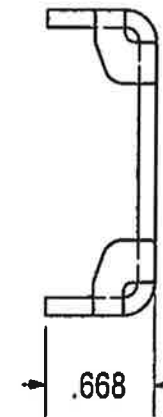
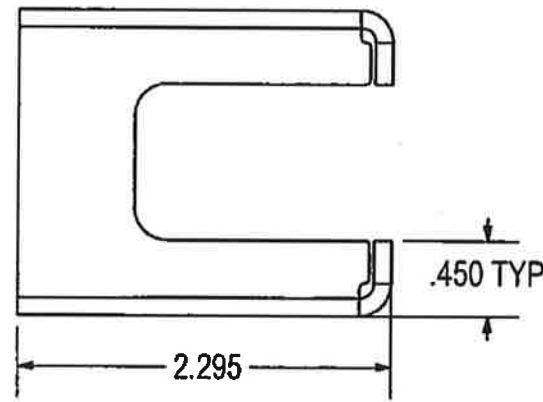
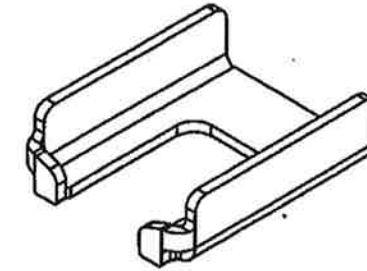
THE INFORMATION CONTAINED IN THIS DRAWING IS THE SOLE PROPERTY OF H^P PRECAST INC. ANY REPRODUCTION IN PART OR WHOLE WITHOUT THE WRITTEN PERMISSION OF FM&M IS PROHIBITED.

This assembly is constructed and tested to conform with WSDOT Standard Specification 9-29.2(2), Standard Duty Junction Boxes. 9-29.2(1)

REV	DESCRIPTION	DATE	INITIALS
A	REDESIGNED, SHORTENED, ADDED SIDE FLANGES.	7/14	DK



FORMED DETAILS



FLAT PATTERN

12 GA HR - 3.095 X 2.570
X = .175 @ 90° .090 R
(1) REQ'D

APPROVED AS NOTED

Washington State Department of Transportation
HQ Traffic Operations Office

BY: *[Signature]* DATE: 5/13/2020

Prepared for H ^P PRECAST INC.			
LATCH GUIDE			
SIZE A	DRAWN BY: DREW KEIM	PROGRAM NUMBER: 716-L004	REV. A
HOLES ± 0.030 X.XXX ± 0.060 ANGLES ± 1.0°		DATE CREATED: 5/21/12	SHEET 1 of 1
SCALE: NONE		CAD FILE: 716-L004A	

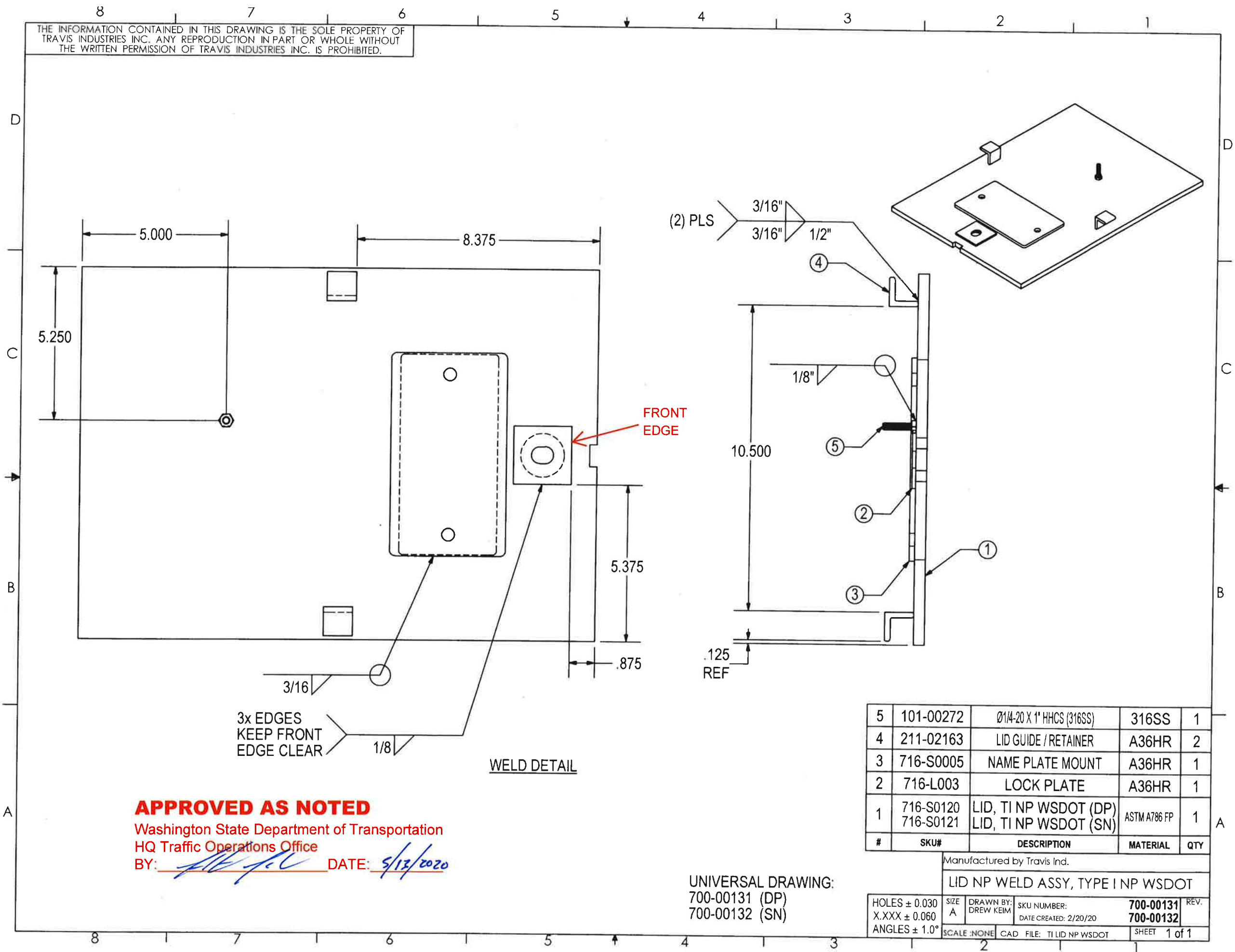
THIS DRAWING CREATED FOR MANUFACTURING REFERENCE ONLY AND IS NOT INTENDED TO SUPERCEDE H^P PRECAST INC. DRAWINGS OR SPECIFICATIONS OF THE REFERENCED PART.

D
C
B
A

D
C
B
A

8 7 6 5 4 3 2 1

THE INFORMATION CONTAINED IN THIS DRAWING IS THE SOLE PROPERTY OF TRAVIS INDUSTRIES INC. ANY REPRODUCTION IN PART OR WHOLE WITHOUT THE WRITTEN PERMISSION OF TRAVIS INDUSTRIES INC. IS PROHIBITED.



3x EDGES
KEEP FRONT
EDGE CLEAR

WELD DETAIL

APPROVED AS NOTED

Washington State Department of Transportation
HQ Traffic Operations Office

BY: *[Signature]* DATE: 5/13/2020

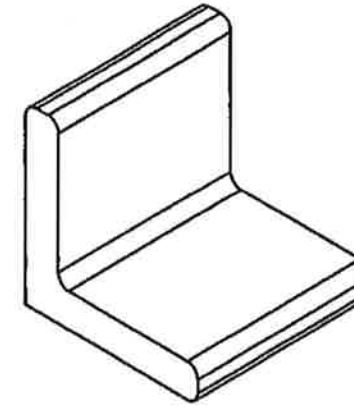
UNIVERSAL DRAWING:
700-00131 (DP)
700-00132 (SN)

5	101-00272	Ø1/4-20 X 1" HHCS (316SS)	316SS	1
4	211-02163	LID GUIDE / RETAINER	A36HR	2
3	716-S0005	NAME PLATE MOUNT	A36HR	1
2	716-L003	LOCK PLATE	A36HR	1
1	716-S0120 716-S0121	LID, TI NP WSDOT (DP) LID, TI NP WSDOT (SN)	ASTM A786 FP	1
#	SKU#	DESCRIPTION	MATERIAL	QTY

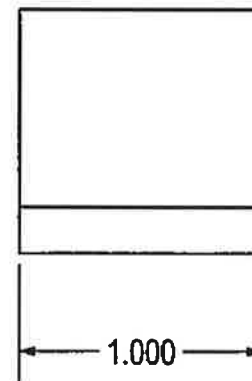
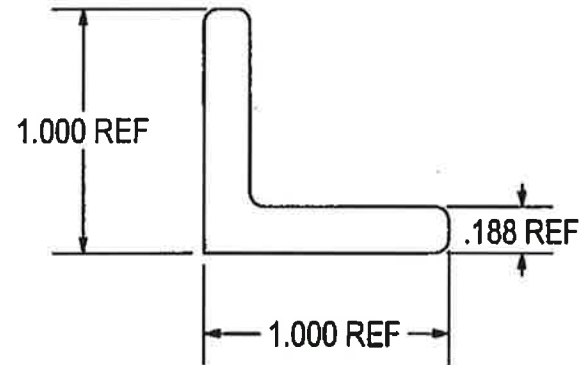
Manufactured by Travis Ind.			
LID NP WELD ASSY, TYPE I NP WSDOT			
SIZE A	DRAWN BY: DREW KEIM	SKU NUMBER: DATE CREATED: 2/20/20	REV. 700-00131 700-00132
HOLES ± 0.030 X.XXX ± 0.060 ANGLES ± 1.0°	SCALE: NONE	CAD FILE: TI LID NP WSDOT	SHEET 1 of 1

THE INFORMATION CONTAINED IN THIS DRAWING IS THE SOLE PROPERTY OF H² PRECAST INC. ANY REPRODUCTION IN PART OR WHOLE WITHOUT THE WRITTEN PERMISSION OF FM&M IS PROHIBITED.

This assembly is constructed and tested to conform with WSDOT Standard Specification 9-29.2(2), Standard Duty Junction Boxes. 9-29.2(1)



6/11/15



ANGLE, 1 x 1 x 3/16 X 1.000 LONG
(2) REQ'D

APPROVED AS NOTED

Washington State Department of Transportation
HQ Traffic Operations Office
BY: *[Signature]* DATE: 5/13/2020

Prepared for H ² PRECAST INC.			
LID GUIDE / RETAINER ✓			
SIZE A	DRAWN BY: DREW KEIM	PROGRAM NUMBER: 211-02163	REV.
HOLES ± 0.030 X.XXX ± 0.060 ANGLES ± 1.0°		DATE CREATED: 5/7/14	
SCALE: NONE	CAD FILE: 716-F0056	SHEET 1 of 1	

THIS DRAWING CREATED FOR MANUFACTURING REFERENCE ONLY AND IS NOT INTENDED TO SUPERCEDE H² PRECAST INC. DRAWINGS OR SPECIFICATIONS OF THE REFERENCED PART.

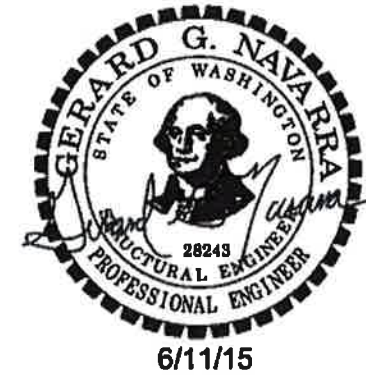
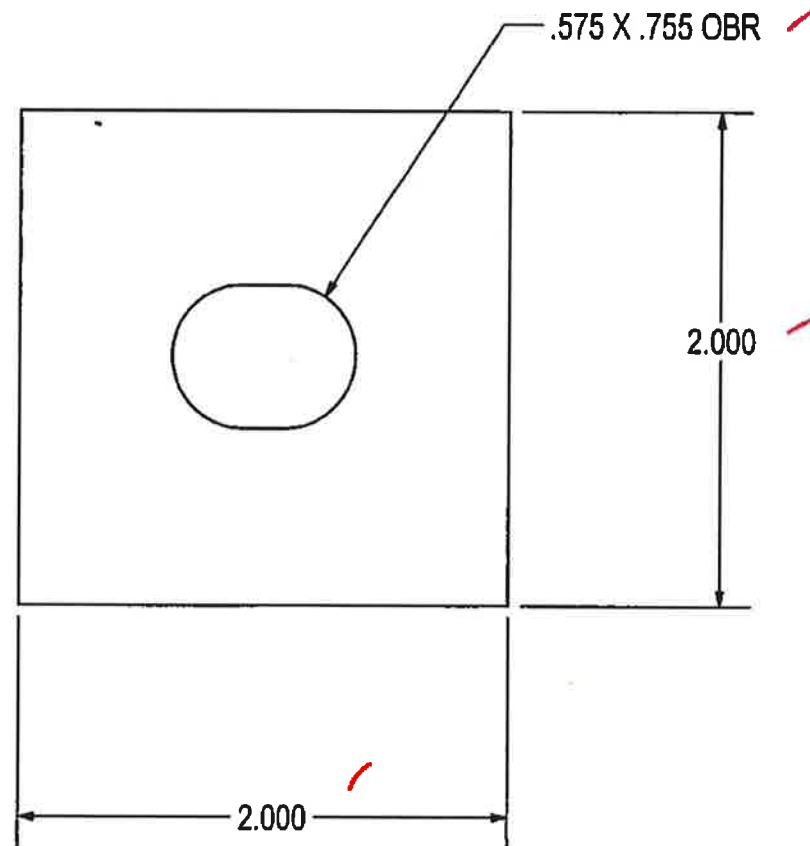
8 7 6 5 4 4 1 3 2 1

THE INFORMATION CONTAINED IN THIS DRAWING IS THE SOLE PROPERTY OF H² PRECAST INC. ANY REPRODUCTION IN PART OR WHOLE WITHOUT THE WRITTEN PERMISSION OF FM&M IS PROHIBITED.

This assembly is constructed and tested to conform with WSDOT Standard Specification ~~9-29.2(2)~~, Standard Duty Junction Boxes. 9-29.2(1)

D
C
B
A

D
C
B
A



APPROVED AS NOTED

Washington State Department of Transportation
HQ Traffic Operations Office
BY: *[Signature]* DATE: 5/13/2020

1/8 HR - 2.000 X 2.000
(1) REQ'D

THIS DRAWING CREATED FOR MANUFACTURING REFERENCE ONLY AND IS NOT INTENDED TO SUPERCEDE H² PRECAST INC. DRAWINGS OR SPECIFICATIONS OF THE REFERENCED PART.

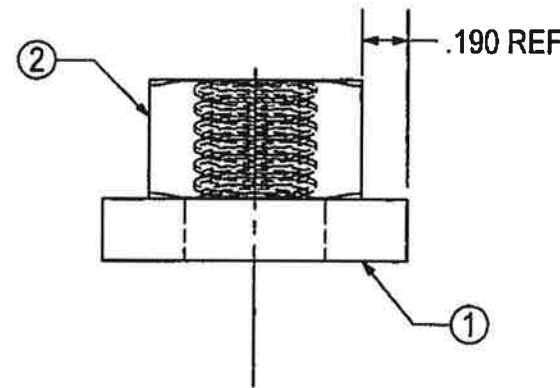
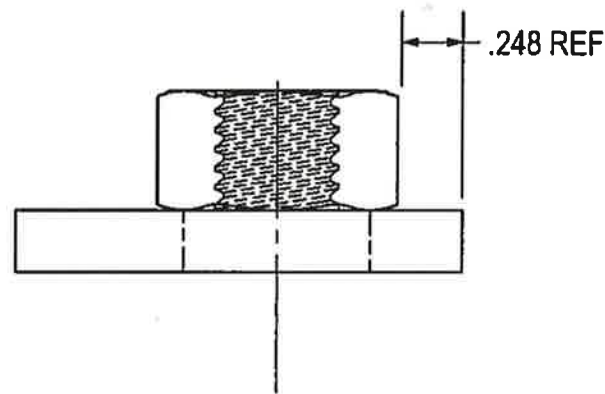
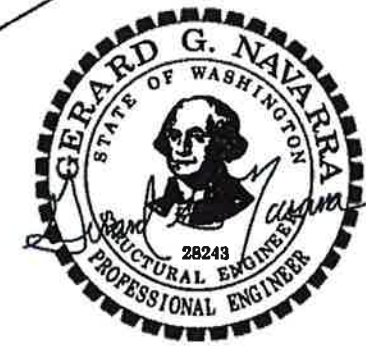
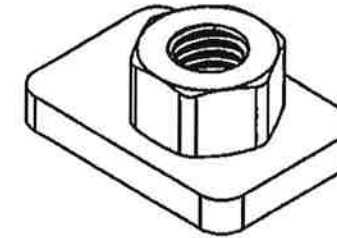
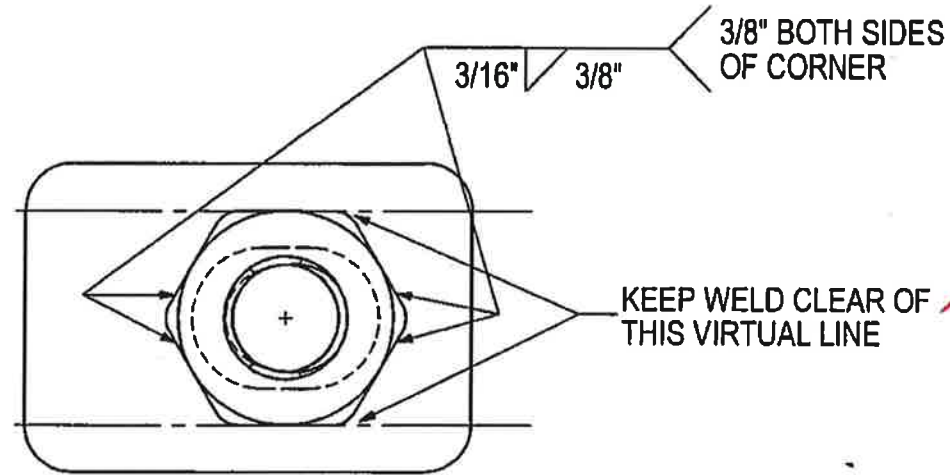
Prepared for H ² PRECAST INC.			
LOCK PLATE ✓			
SIZE A	DRAWN BY: DREW KEM	PROGRAM NUMBER: 716-L003	REV.
SCALE: NONE	CAD FILE: 716-L003	DATE CREATED: 5/21/12	SHEET 1 of 1

8 1 7 1 6 1 5 4 3 2 1

THE INFORMATION CONTAINED IN THIS DRAWING IS THE SOLE PROPERTY OF H² PRECAST INC. ANY REPRODUCTION IN PART OR WHOLE WITHOUT THE WRITTEN PERMISSION OF FM&M IS PROHIBITED.

This assembly is constructed and tested to conform with WSDOT Standard Specification ~~9-29.2(2)~~ Standard Duty Junction Boxes 9-29.2(1)

REV	DESCRIPTION	DATE	INITIALS
A	MODIFEID WELD NOTE. ADDED NOTE.	7/14	DK



APPROVED AS NOTED

Washington State Department of Transportation
 HQ Traffic Operations Office
 BY: [Signature] DATE: 5/13/2020

#	SKU#	DESCRIPTION	MATERIAL	QTY.
2	101-00047	NUT, HEX(HEAVY) 1/2-13	316SS	1
1	716-L002	LOCK LATCH	A36HR	1

PARTS LIST

Prepared for H² PRECAST INC.

LOCK TAB WELD ASSY

THIS DRAWING CREATED FOR MANUFACTURING REFERENCE ONLY AND IS NOT INTENDED TO SUPERCEDE H² PRECAST INC. DRAWINGS OR SPECIFICATIONS OF THE REFERENCED PART.

HOLES ± 0.030	SIZE A	DRAWN BY: DREW KEM	PROGRAM NUMBER: 700-00005	REV. A
X.XXX ± 0.060			DATE CREATED: 4/28/14	
ANGLES ± 1.0°	SCALE: NONE	CAD FILE: 700-00005A	SHEET 1 of 1	

8 1 7 1 6 1 5 4 4 1 3 1 2 1 1

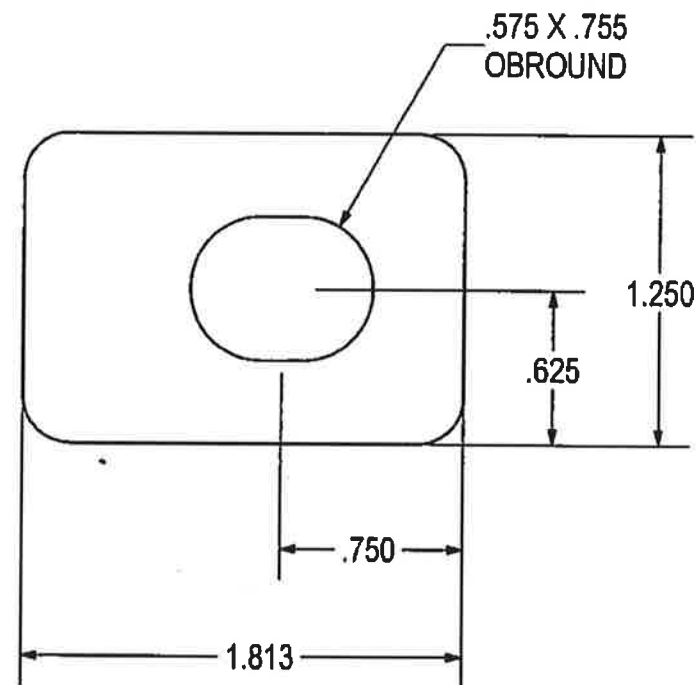
THE INFORMATION CONTAINED IN THIS DRAWING IS THE SOLE PROPERTY OF H³ PRECAST INC. ANY REPRODUCTION IN PART OR WHOLE WITHOUT THE WRITTEN PERMISSION OF FM&M IS PROHIBITED.

This assembly is constructed and tested to conform with WSDOT Standard Specification ~~9-29.2(2)~~ Standard Duty Junction Boxes. 9-29.2(1)

REV	DESCRIPTION	DATE	INITIALS
A	1/4" HR WAS 3/8" HR	'14	DK

D
C
B
A

D
C
B
A



APPROVED AS NOTED

Washington State Department of Transportation
 HQ Traffic Operations Office
 BY: *[Signature]* DATE: 5/13/2020

1/4 HR - 1.813 X 1.250
 (1) REQ'D

THIS DRAWING CREATED FOR MANUFACTURING REFERENCE ONLY AND IS NOT INTENDED TO SUPERCEDE H³ PRECAST INC. DRAWINGS OR SPECIFICATIONS OF THE REFERENCED PART.

HOLES ± 0.030
 X.XXX ± 0.060
 ANGLES ± 1.0°

Prepared for H ³ PRECAST INC.			
LOCK LATCH			
SIZE A	DRAWN BY: DREW KEIM	PROGRAM NUMBER: 716-L002	REV. A
SCALE: NONE		DATE CREATED: 5/21/12	
CAD FILE: 716-L002A			SHEET 1 of 1

8 1 7 1 6 1 5 4 3 2 1