

2X 3/8-7 X 2 [51] LONG
S.S. PENTA HEAD AUGER
GRADE 2 BOLT

ø3/8 [10] S.S.
FLAT WASHER

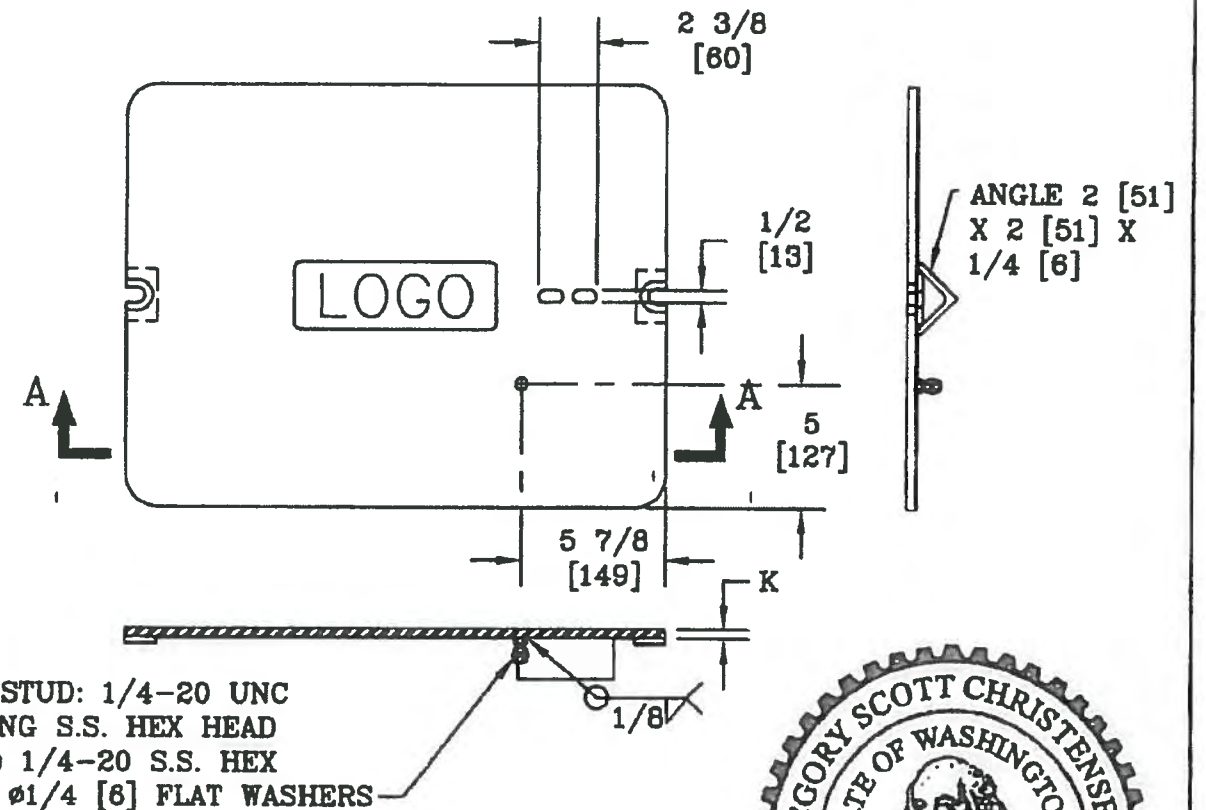
STENCIL ON THE BOTTOM OF THE
COVER THE YEAR OF MANUFACTURE
ON A 1/8 [3] X 1 [25] STAINLESS
STEEL WELD BEAD.

PC1318S504*
BONDING JUMPER #8 AWG
X 4' TINNED BRAIDED
COPPER

3/8-7 SELF ALIGNING,
REPLACEABLE EZ-NUT
2 PLACES

GROUNDING LOCATION
(5/16-18 UNC X 2 [51] LONG
S.S. HEX HEAD GRADE 2 BOLT,
ø5/16 [8] WASHER & 5/16-18 UNC
HEX NUT)

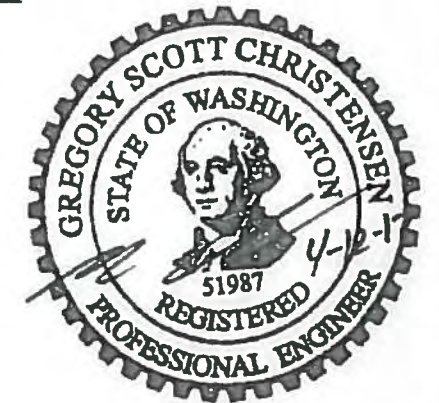
PC1318B500



SECTION A-A

NOTES:

1. CUSTOMER IS WSDOT.
2. BOX AND COVER WILL MEET ALL TEST PROVISIONS OF THE ANSI/SCTE 77 TIER 15 LOADING REQUIREMENT.
3. THE COVER MATERIAL WILL MEET ASTM A36 & ASTM A786 REQUIREMENTS. DIAMOND PLATE COVER WILL BE HOT DIPPED GALVANIZED IN ACCORDANCE WITH ASSHTO M111.
4. INTERIOR BOX VOLUME IS 3,462 in³.
5. 3/8-7 AUGER BOLTS MEET THE REQUIREMENT FOR ASTM F 593.
6. ALL HARDWARE IS 18-8 STAINLESS STEEL.



APPROVED

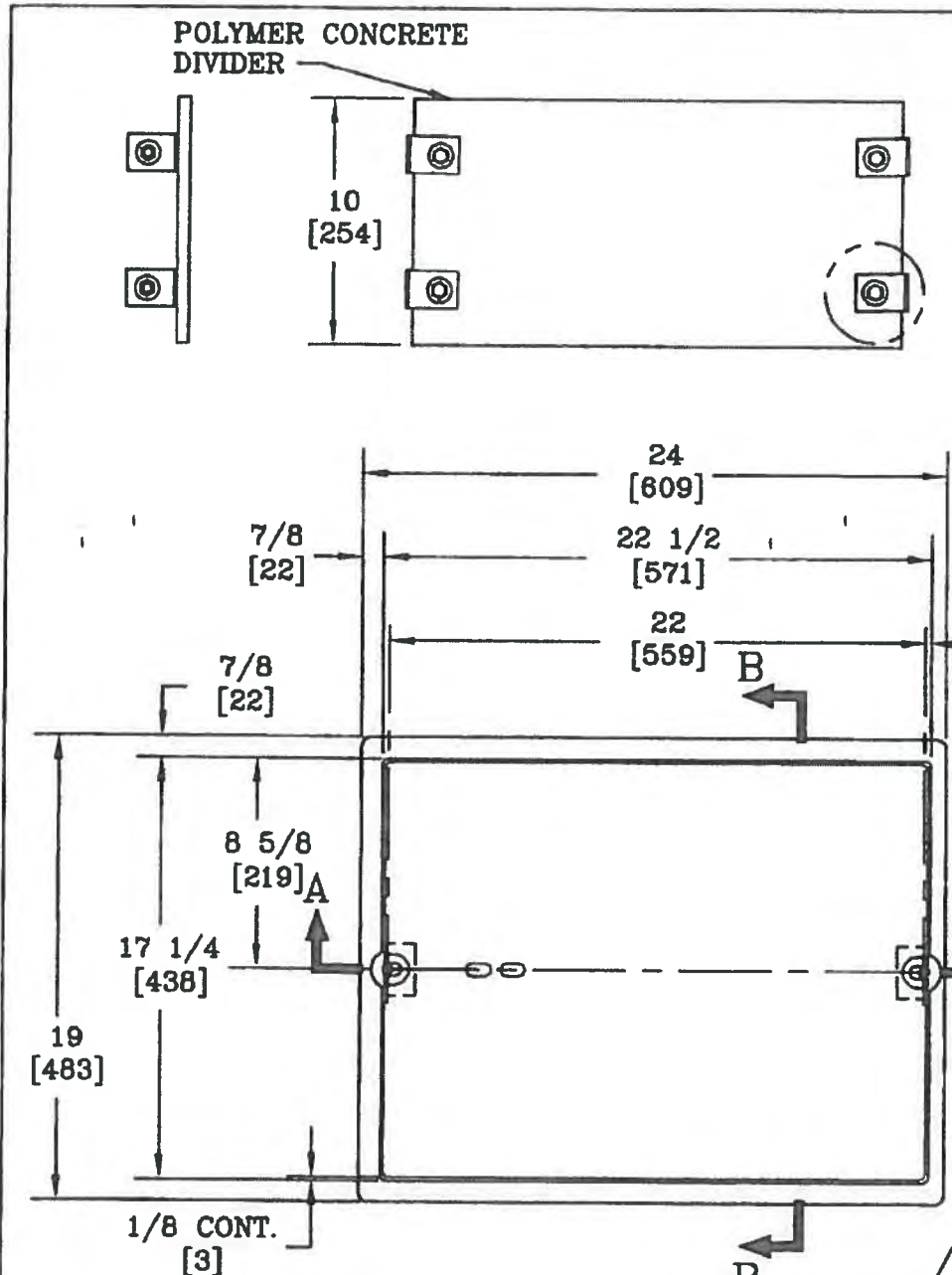
Washington State Department of Transportation
HQ Traffic Operations Office
BY: *[Signature]* DATE: 5/11/2017

*LOGO CHART	
LOGO CODE	TEXT
U13	COMM
U23	ITS
U33	LT
U43	TS
U53	TEL

JUNCTION BOX DIMENSION TABLE		
MARK	ITEM	BOX TYPE 1
A	OUTSIDE LENGTH OF JUNCTION BOX	24
B	OUTSIDE WIDTH OF JUNCTION BOX	19
C	INSIDE LENGTH AT TOP OF BOX	20 7/16
D	INSIDE WIDTH AT TOP OF BOX	15 7/16
E	INSIDE LENGTH AT FOOT	18
F	INSIDE WIDTH AT FOOT	13
G	OVERALL HEIGHT OF BOX	12
H	HEIGHT OF BOX TO COVER LEDGE	11 5/8
I	COVER LENGTH	22 1/4
J	COVER WIDTH	17
K	COVER DEPTH	3/8

CUSTOMER APPROVAL
APPROVED BY: _____
DATE: _____

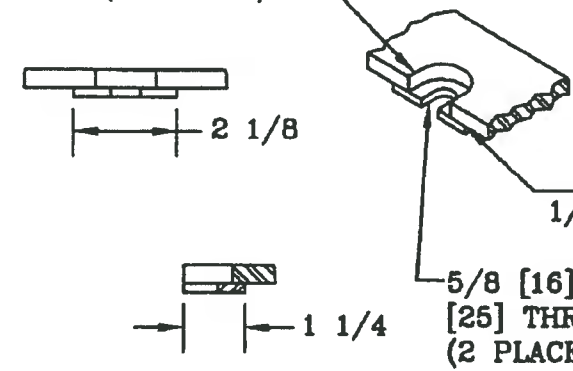
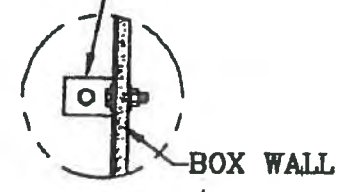
DIMENSIONS ARE IN INCHES OR MILLIMETERS IN BRACKETS UNLESS OTHERWISE NOTED.						
DRN	BY	DATE	WEIGHT		3621 INDUSTRIAL PARK DR LENOIR CITY, TN 37771 800-348-3062 www.quazite.com	LOC
CHK			103# 47kg			LC
ENG			SCALE	DRAWING DESCRIPTION QUAZITE® 13 X 18 X 12 BOX & COVER ASSEMBLY	REV	
APR			NTS		B	
APR			SIZE		4/17	
PROJECT NUMBER			SHEET 1 OF 2		DRAWING NUMBER	PC1318Z507-1



3/8-16 UNC X 1 1/2 [38] LONG S.S. GRADE 2 HEX HEAD BOLT, 3/8-16 UNC HEX NUT, & ASTM A36 GALVANIZED STEEL L-BRACKET BOLTED TO THE SIDE OF WALL OF BOX

1 1/4 [32] X 1 3/8 [35] SLOT (2 PLACES)

2X 3/8-7 X 2 [51] LONG S.S. PENTA HEAD AUGER BOLT

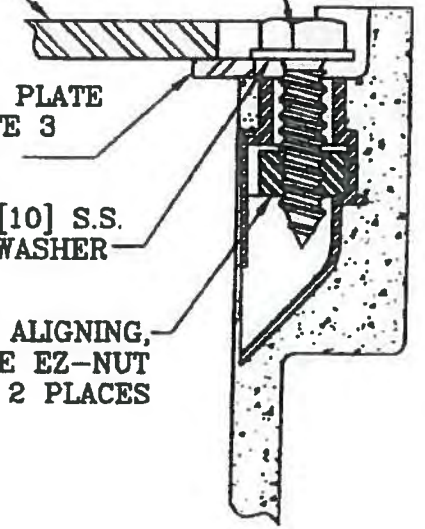


STEEL COVER

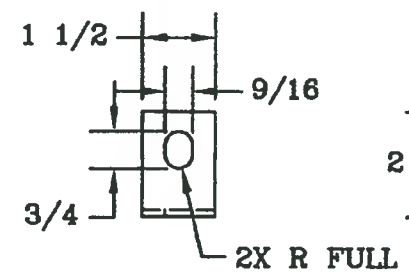
LOCKING PLATE SEE NOTE 3 SHEET 1

ø3/8 [10] S.S. FLAT WASHER

3/8-7 SELF ALIGNING, REPLACEABLE EZ-NUT 2 PLACES

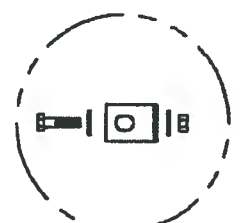


BOLT DOWN DETAIL NTS



L-BRACKET DETAIL SCALE: HALF

SLOT DETAIL NTS



GROUNDING LOCATION (5/16-18 UNC X 2 [51] LONG S.S. HEX HEAD GRADE 2 BOLT, ø5/16 [8] WASHER & 5/16-18 UNC HEX NUT)

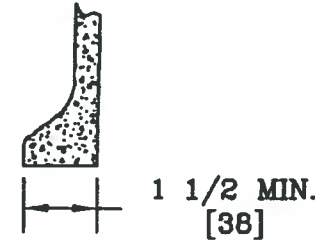
GROUNDING BOLT DETAIL NTS

3/8-16 UNC X 1 1/2 [38] LONG S.S. BOLT, 3/8 LOCK WASHER, BRACKET & 3/8-16 UNC HEX NUT

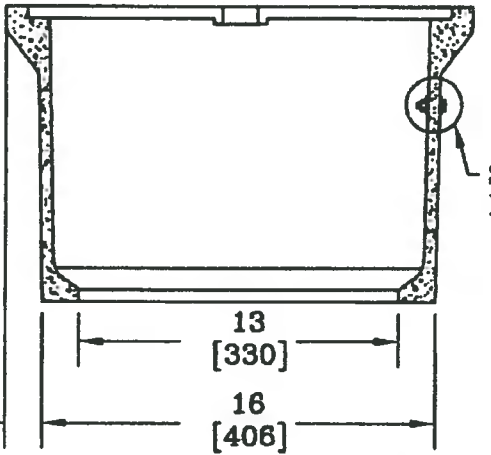


GROUNDING STUD: 1/4-20 UNC X 3/4 [19] LONG S.S. HEX HEAD BOLT W/ (2) 1/4-20 S.S. HEX NUTS & (2) ø1/4 [8] FLAT WASHERS

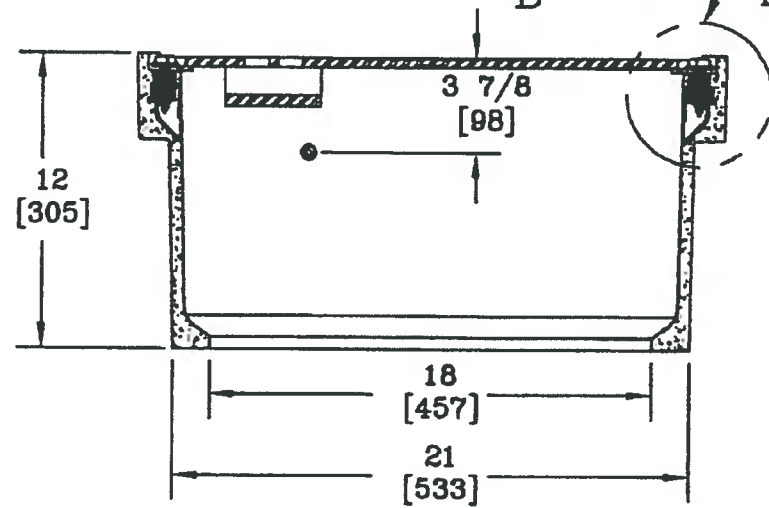
GROUNDING STUD DETAIL NTS



FOOT DETAIL SCALE: HALF



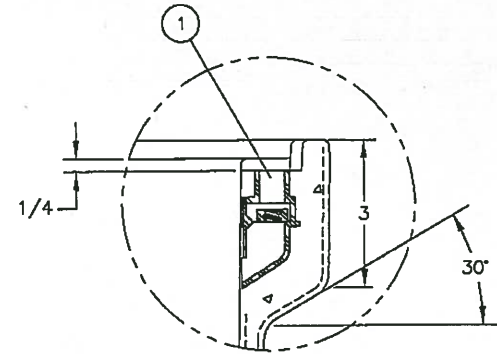
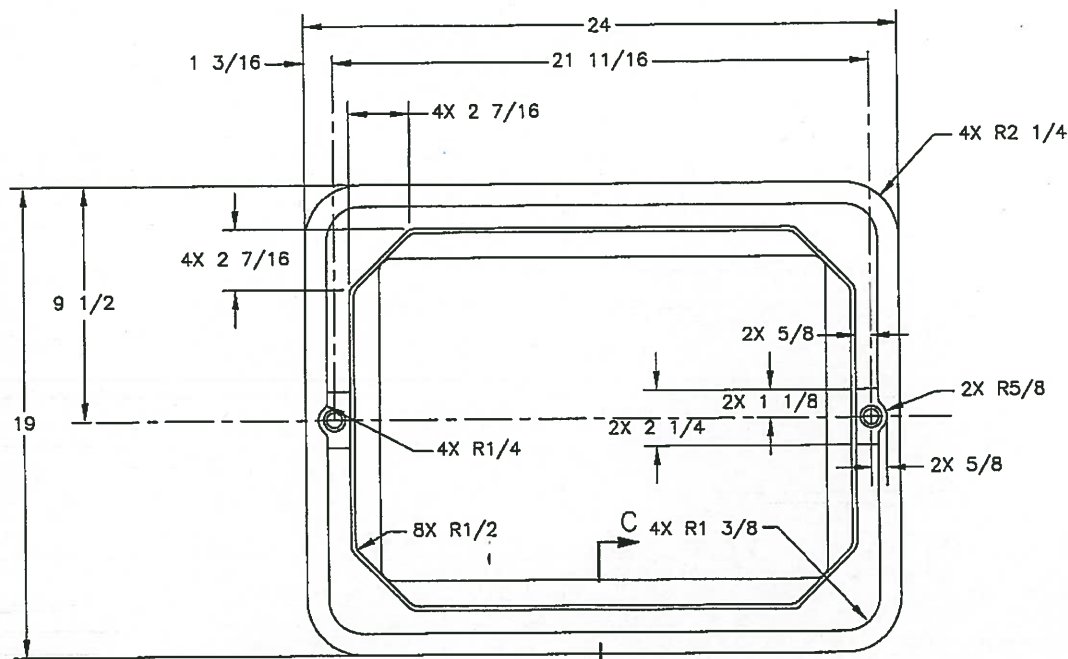
SECTION B-B



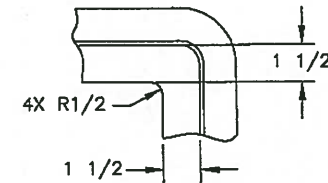
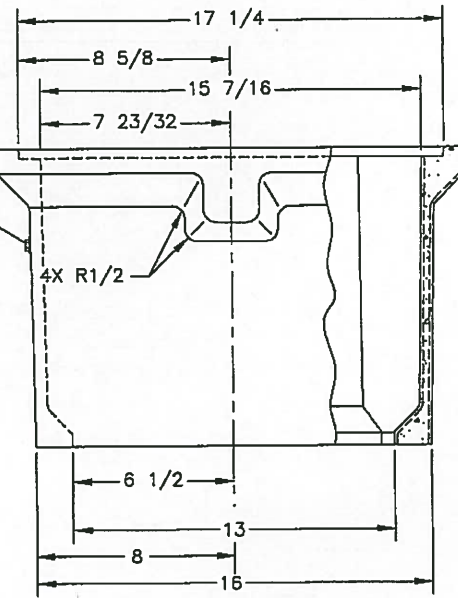
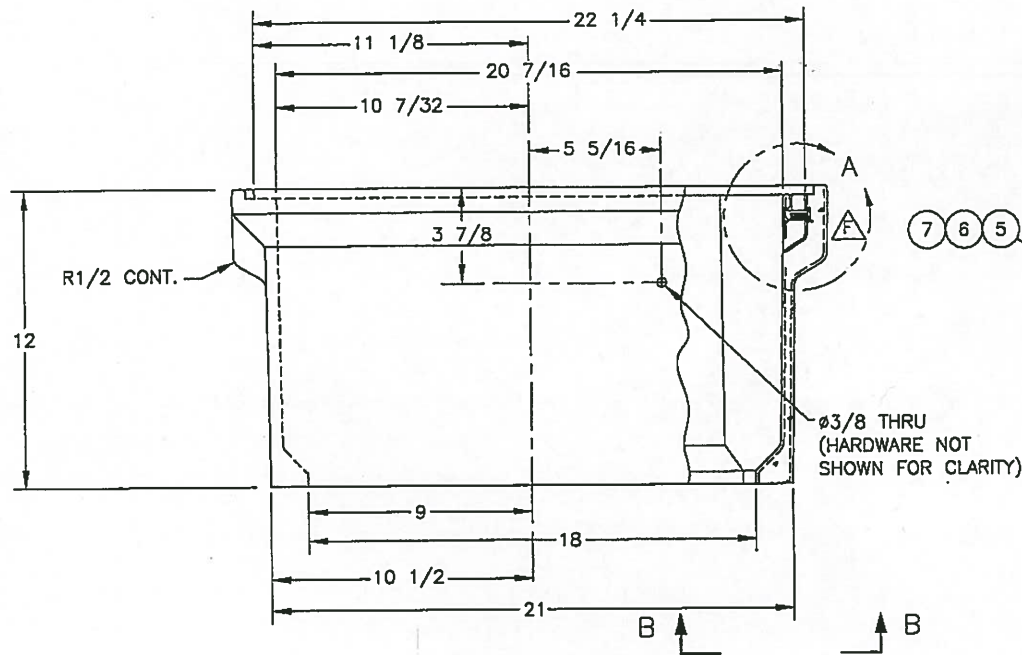
SECTION A-A

APPROVED
Washington State
Department of Transportation
HQ Traffic Operations Office
BY: *[Signature]*
DATE: 5/11/2017

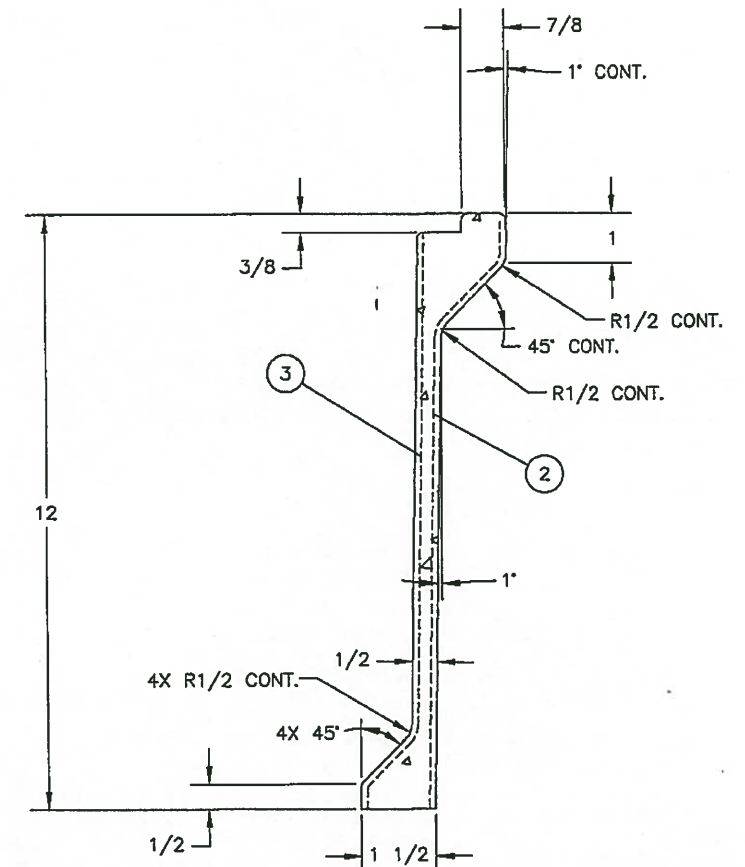
DIMENSIONS ARE IN INCHES OR MILLIMETERS IN BRACKETS UNLESS OTHERWISE NOTED.					
DRN	BY	DATE	WEIGHT	3821 INDUSTRIAL PARK DR LENOIR CITY, TN 37771 800-348-3082 www.quozite.com	LOC
CHK			103#		LC
ENG			47kg		S
APR			SCALE		REV
APR			NTS		B
PROJECT NUMBER			SIZE		4/17
			B	DRAWING DESCRIPTION	
				QUAZITE® 13 X 18 X 12	
				BOX & COVER ASSEMBLY	
				DRAWING NUMBER	
				PC1318Z507-2	
				SHEET 2 OF 2	



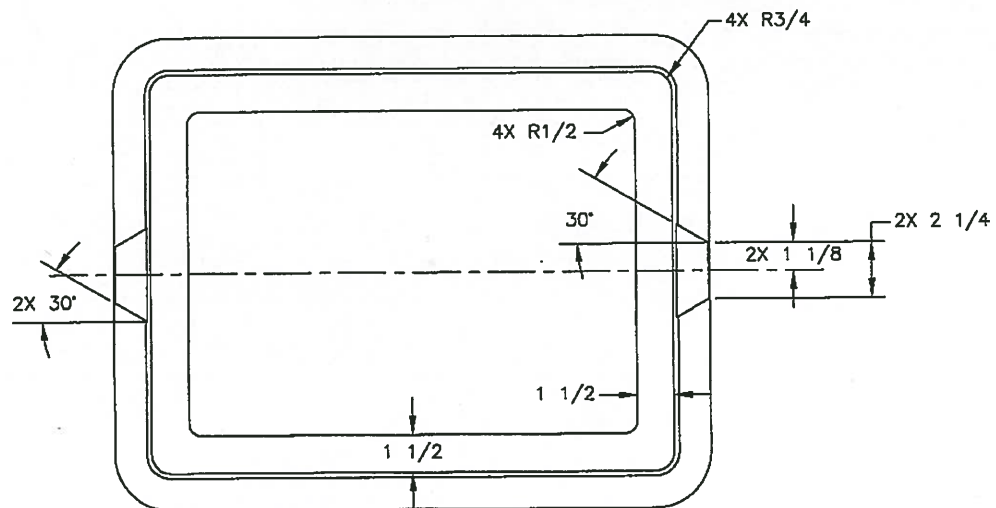
DETAIL A
SCALE: HALF
2 PLACES



VIEW B-B
SCALE: FULL
4 PLACES



SECTION C-C
SCALE: HALF



APPROVED AS NOTED
Washington State Department of Transportation
HQ Traffic Operations Office
BY: *[Signature]* DATE: *2/5/2018*

**NOTE: BOX PART NUMBER STAMP WILL READ:
PC1318B500A**

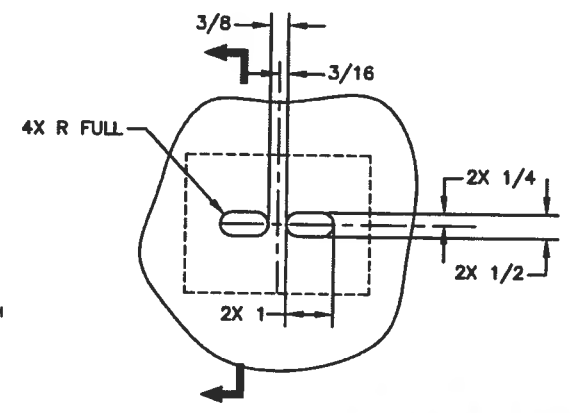
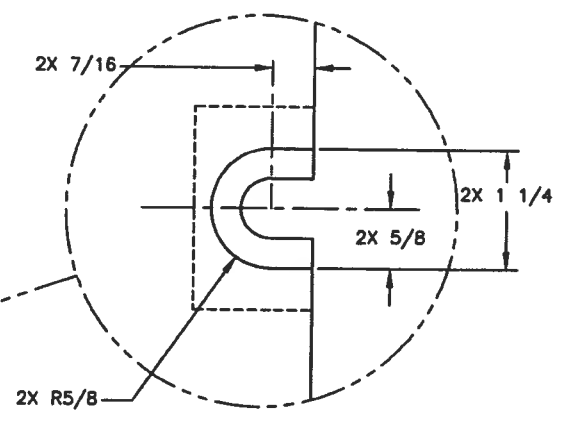
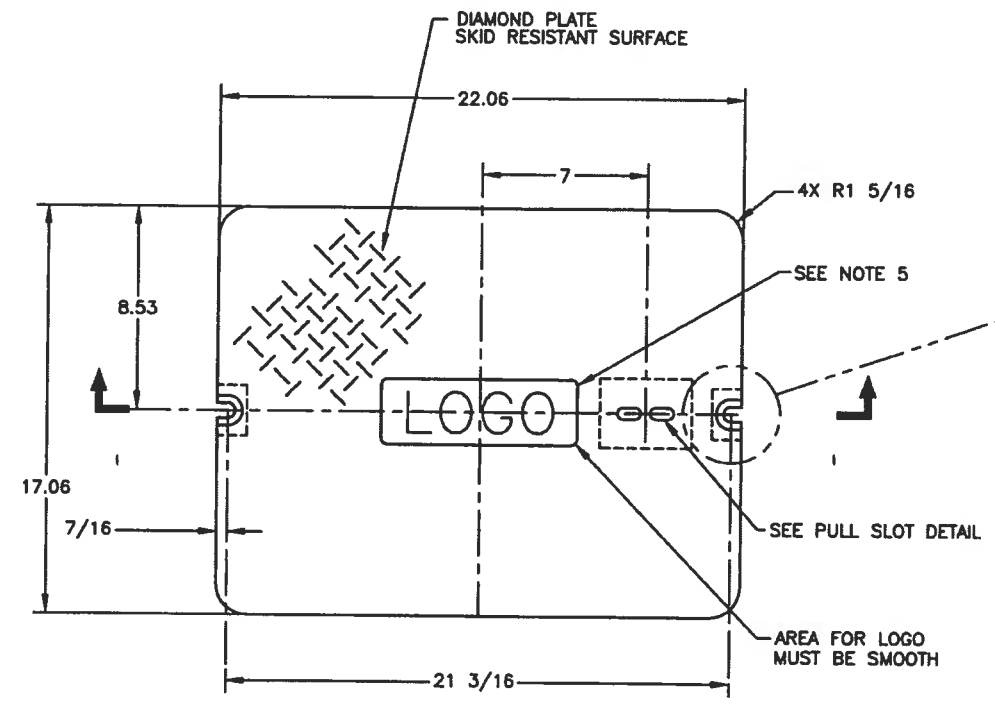


- NOTES:
1. ALL FILLETS AND RADII TO BE 1/8 UNLESS OTHERWISE SPECIFIED.
 2. FOR EZ-NUT RETAINER TOOLING SEE CT96108-2
 3. RATED FOR TIER 15 APPLICATIONS.

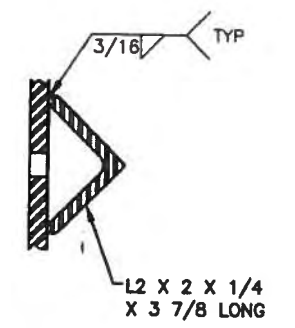
ITEM NO.	CAT.	PART NUMBER	DESCRIPTION	QUANTITY	UOM
1	L	C080412	INSERT EZ-NUT 3/8-7 LAG ASSY (FULL)	2.00	EA
2	L	C092260	FG 6 BA 78.00 X 12.00	1.00	EA
3	L	C092275	FG 6 BA 69.00 X 12.00	1.00	EA
4	L	C099200	MIX-UT BOX 15.5 PCT RESIN	60.00	LB
5	L	C082246	BOLT SS 5/16-18 X 2 HEX	1.00	EA
6	L	C082341	NUT SS 5/16-18 UNC HEX	1.00	EA
7	L	C080270	WASHER SS 5/16ID X 3/4OD FLAT	1.00	EA

<p>APPROVED</p> <p>1. MAINT. _____</p> <p>2. PROD. _____</p> <p>3. QUALITY _____</p>	<p>STANDARD TOLERANCES</p> <p>ALL DIMENSIONS ARE IN INCHES UNLESS OTHERWISE SPECIFIED</p> <p>.000.....±.100</p> <p>.000.....±.050</p> <p>.000.....±.010</p> <p>FRACTIONAL.....±1/16</p> <p>ANGULAR.....±.5°</p>		<p>3621 INDUSTRIAL PARK DR LENOIR CITY, TN 37771 800-346-3082 www.quazite.com</p>		<p>LOG</p> <p>REV</p> <p>F</p> <p>1/18</p>
	<p>PROPRIETARY INFORMATION</p> <p>THIS DRAWING DISCLOSES PROPRIETARY AND CONFIDENTIAL INFORMATION, AND IS LOANED BY MODEL WITH THE UNDERSTANDING THAT IT WILL NOT BE DISCLOSED IN PART OR WHOLE, AND/OR BE USED FOR ANY PURPOSE OTHER THAN MAINTENANCE, REPAIRS, OR INSTALLATION, UNLESS EXPRESSLY AUTHORIZED, AND THAT IT BE RETURNED ON DEMAND.</p>		<p>BY: <i>[Signature]</i> DATE: <i>1/22/18</i></p> <p>DWN: <i>[Signature]</i></p> <p>CHK: _____</p> <p>ENG: _____</p> <p>APPR: _____</p>	<p>WEIGHT: _____</p> <p>DRAWING DESCRIPTION: QUAZITE® BOX</p> <p>SCALE: _____</p>	

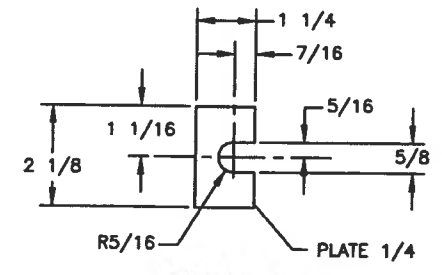
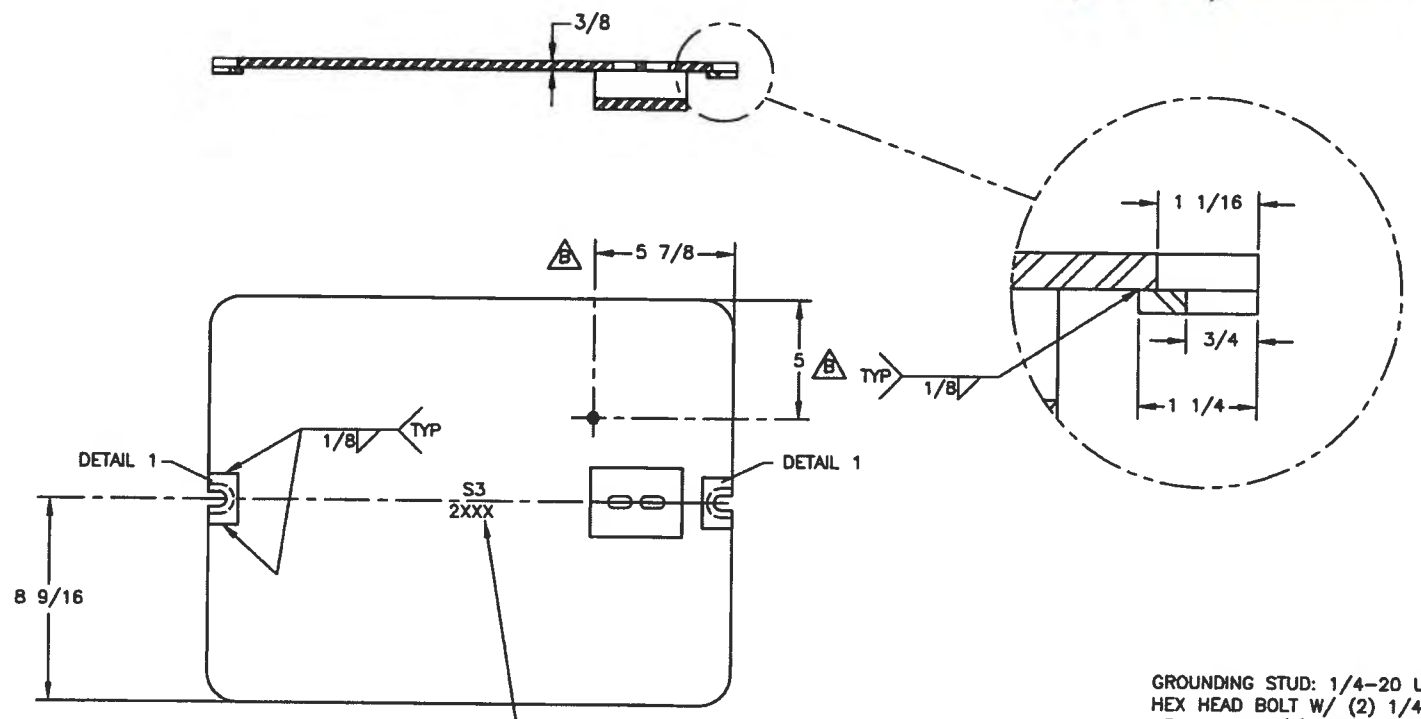
PART NUMBER	LOGO
PC1318S504U33	LT
PC1318S504U53	TEL
PC1318S504U23	ITS
PC1318S504U13	COMM
PC1318S504U43	TS



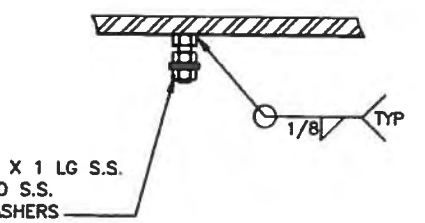
PULL SLOT DETAIL
SCALE: HALF



APPROVED AS NOTED
 Washington State Department of Transportation
 HQ Traffic Operations Office
 BY: [Signature] DATE: 5/11/2017



DETAIL 1
SCALE: HALF
2 REQUIRED



GROUND STUD DETAIL
SCALE: HALF



- NOTES:
- ALL MATERIAL TO BE ASTM A36 OR EQUIVALENT
 - ALL WELDS TO USE E-70 SERIES ELECTRODES; WELD PENETRATION NOT TO EXCEED 75% OF THINNER MATERIAL.
 - GALVANIZE:
 - DEBURR, CLEAN MILL SCALE & SLAG, AND DEGREASE
 - HOT DIP GALVANIZE AFTER WELDING IN ACCORDANCE WITH ASSHTO M11: M111
 - THIS COVER IS RATED FOR A DESIGN LOAD OF 15,000 LBS.
 - LOGO TO BE 1" HIGH LETTERS USING 1/8" WELD BEAD.

APPROVED

1. MAINT. _____

2. PROD. _____

3. QUALITY _____

STANDARD TOLERANCES	
.0.....	±.100
.00.....	±.080
.000.....	±.010
FRACTIONAL.....	±1/16
ANGULAR.....	±.5

BY	DATE	QUANTITY	DESCRIPTION	LOGO
SSP	2/24/17	408	QUAZITE STEEL COVER	B
CHK	3/2/17			
APR				
APR				
PROJECT NUMBER			PC1318S504-2-1	
SHEET OF			1	