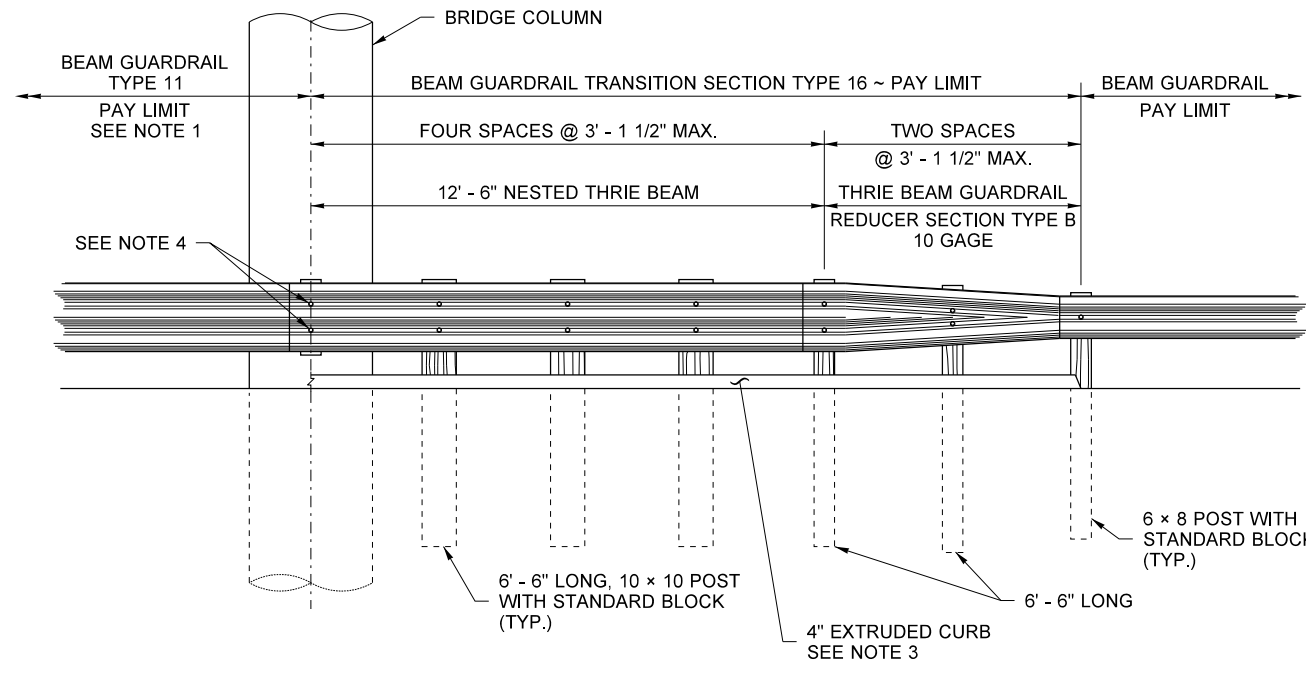
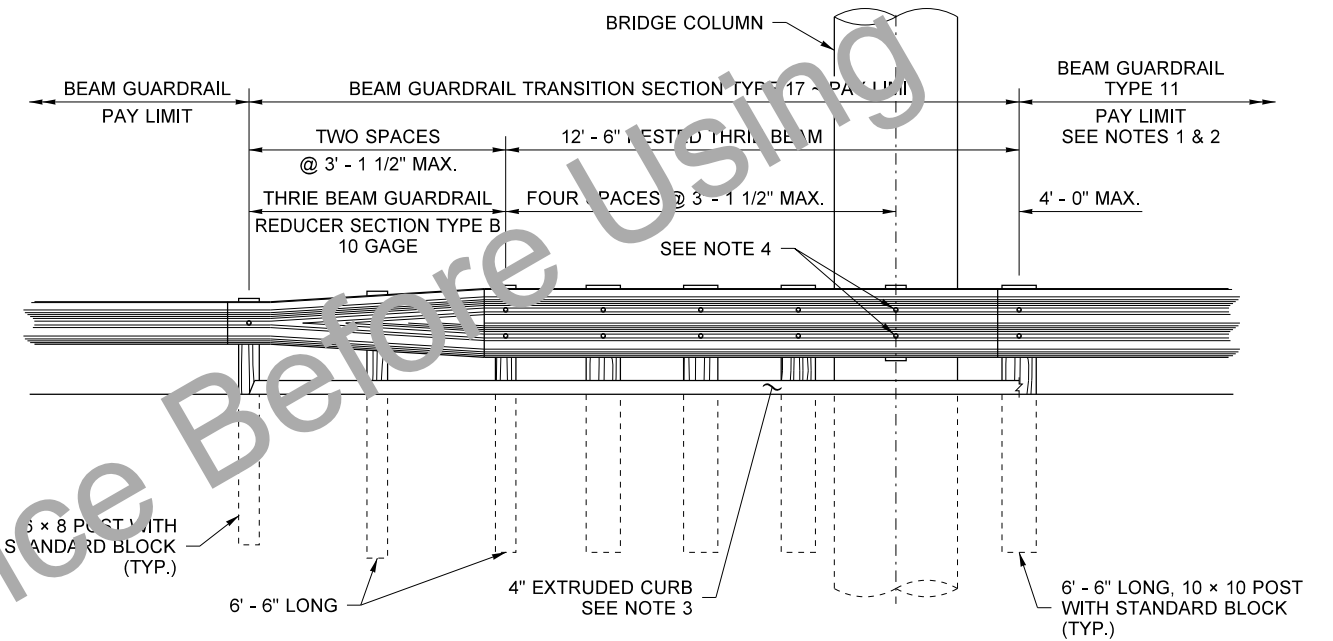


NOTES

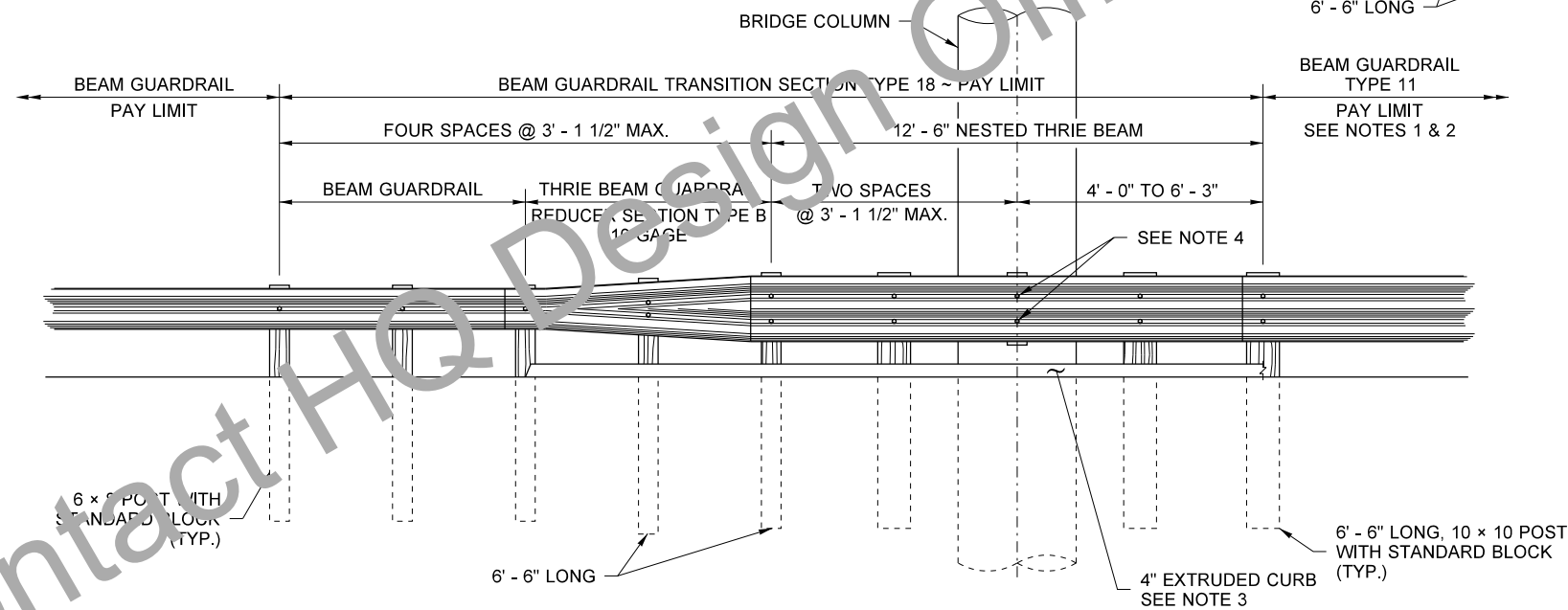
1. See Contract for the number of thrie beam sections for Beam Guardrail Type 11.
2. If the distance from the end of the Beam Guardrail Type 11 to the column/structure exceeds 6' - 3" using 12' - 6" thrie beam sections, add a 6' - 3" nested section of thrie beam to reduce the distance to less than 6' - 3".
3. Install Extruded Curb (See **Standard Plan F-10.40**) at face of Guardrail.
4. Attach the standard block to the rail using two 5/8" x 4" lag bolts.



TYPE 16
APPROACH END



TYPE 17
TRAILING END



TYPE 18
TRAILING END

TYPE 1 BEAM GUARDRAIL TRANSITION SECTIONS (TYPES 16, 17, & 18)

FILE NAME		S:\Design R P & S\4-Standards\2-Plan Sheet Library\02-PSL Work in Progress\C series conversion\TB-c3c\TB-C3c.dgn		FED.AID PROJ.NO.		Washington State Department of Transportation		PLAN REF NO TB-C3c	
TIME	12:03:11 PM	REGION NO.	10	STATE	WASH	Washington State Department of Transportation		SHEET 1 OF 1 SHEETS	
DATE	8/2/2018	JOB NUMBER		CONTRACT NO.					
PLOTTED BY	liddelf	REVISION		DATE	BY	P.E. STAMP BOX	DATE	P.E. STAMP BOX	
DESIGNED BY									
ENTERED BY									
CHECKED BY									
PROJ. ENGR.									
REGIONAL ADM.									