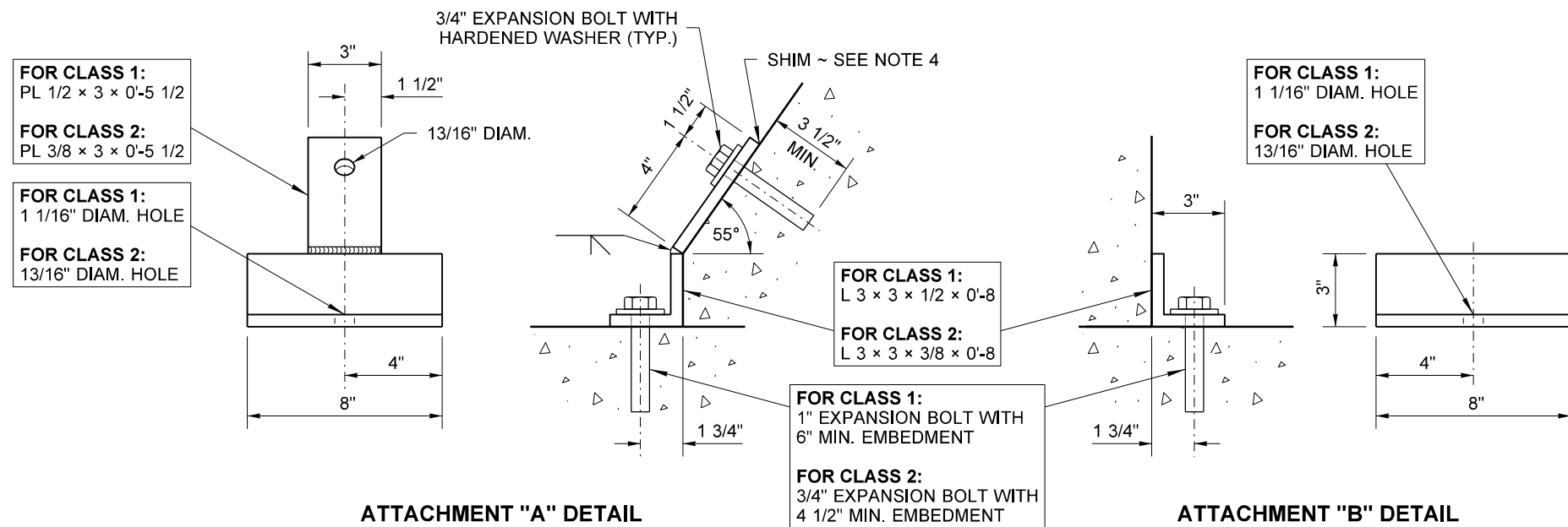
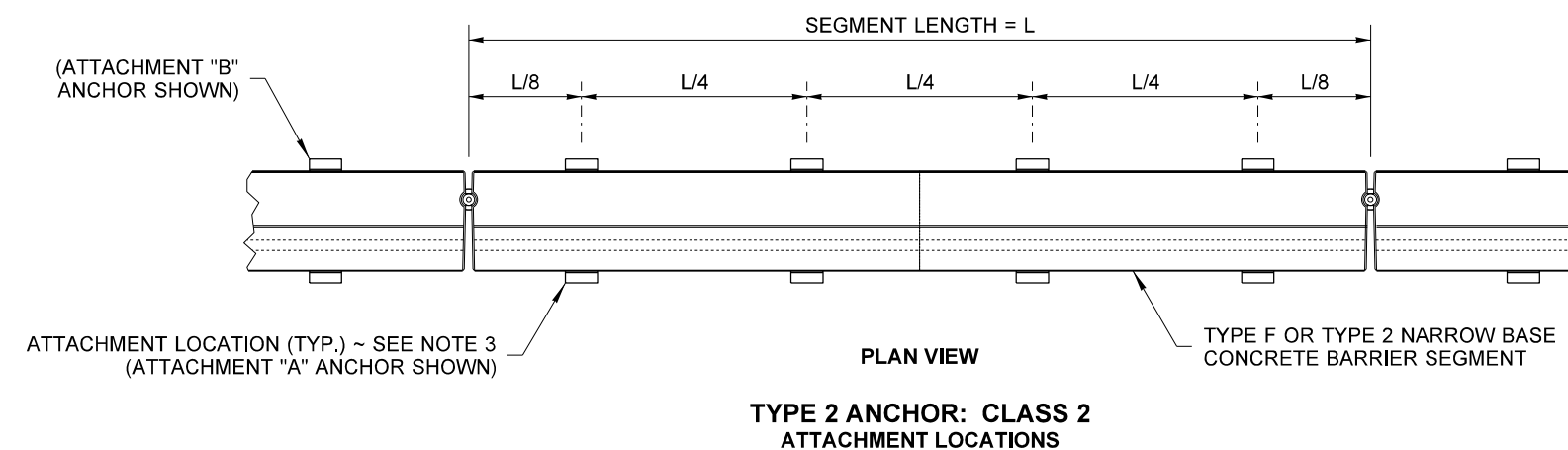
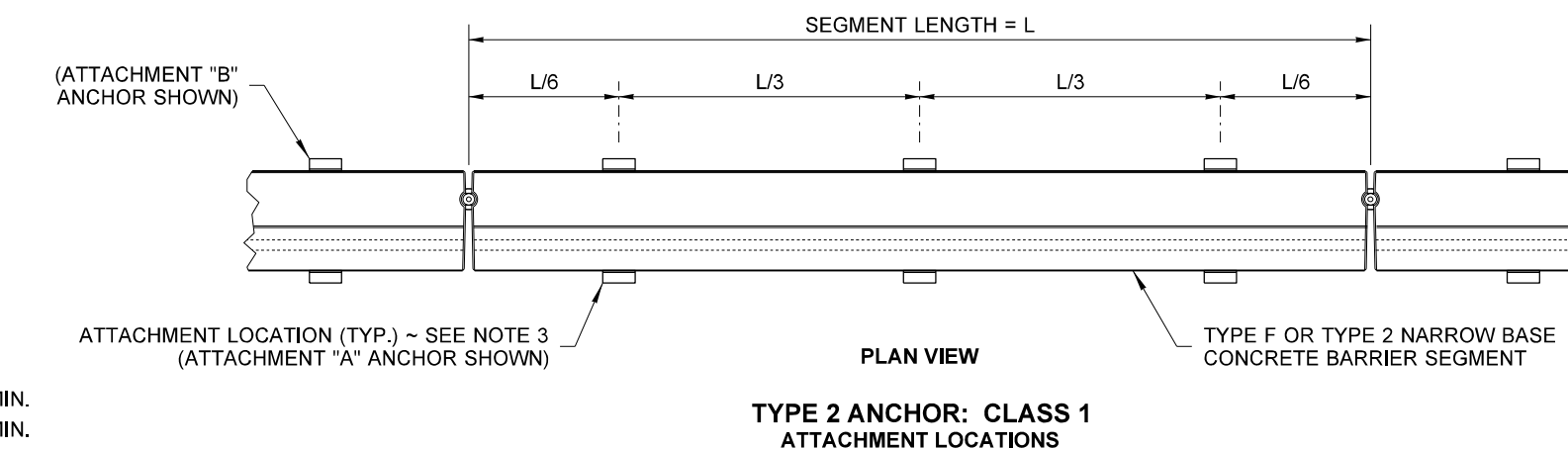
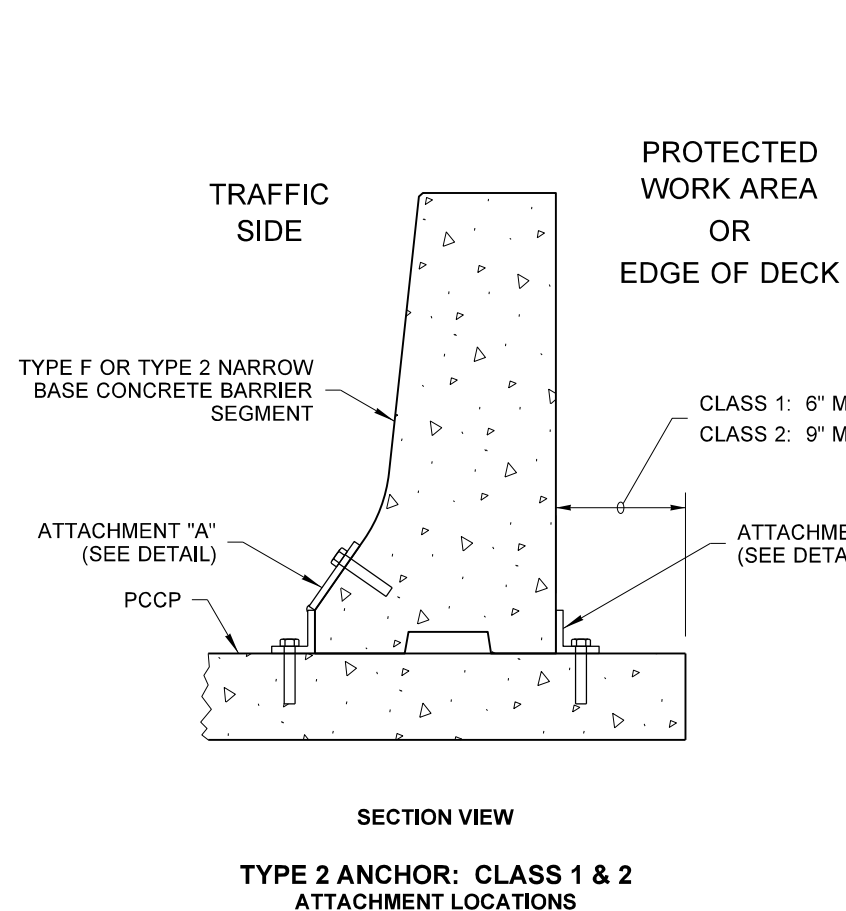


DRAWN BY: FERN LIDDELL



NOTES

1. The intended use of this plan is for the temporary installation of Type F Narrow Base concrete barrier (see **Standard Plan C-60.10**) or Type 2 Narrow Base concrete barrier on cement concrete pavement or bridge deck.
2. Use Class 1 when the concrete pavement or bridge deck is 9" or thicker; use Class 2 when it is 6" or thicker.
3. Adjust the location of the anchors to avoid the main reinforcing in the deck when drilling holes.
4. Use shims to properly fit the anchors to the barrier and roadway surfaces.
5. Upon removal of the anchors, clean the bolt holes and fill them with grout according to **Standard Specification, Section 6.02.3(20)**.



John P. Donahue 2020.09.10 10:04:56 -07'00'

TEMPORARY CONCRETE BARRIER ANCHORING - NARROW
STANDARD PLAN K-80.37-01

SHEET 1 OF 1 SHEET

APPROVED FOR PUBLICATION

Roark, Steve Digitally signed by Roark, Steve
Date: 2020.09.16 10:24:32 -07'00'

STATE DESIGN ENGINEER

Washington State Department of Transportation