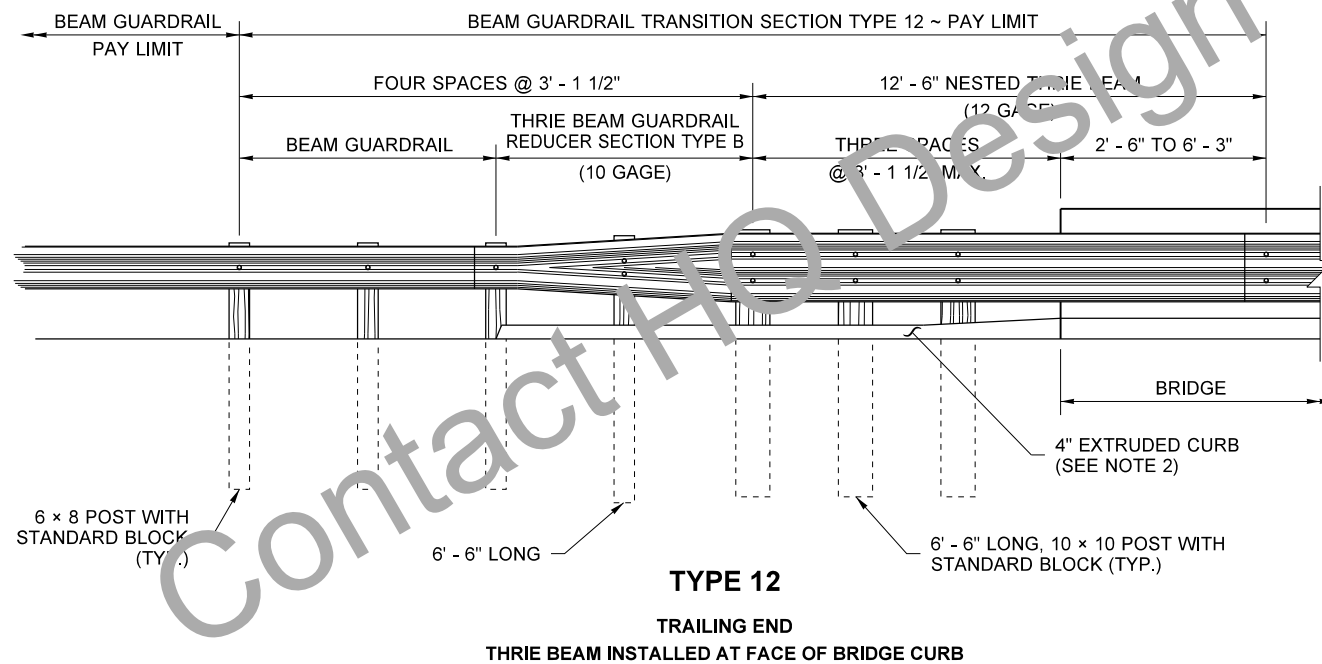
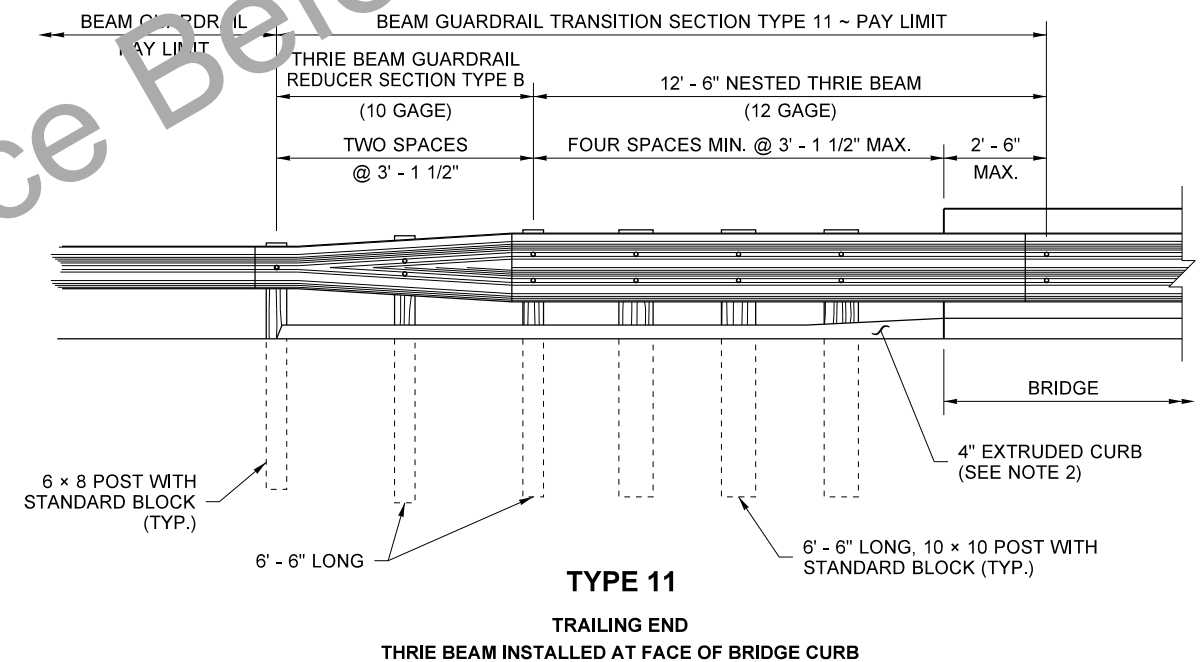


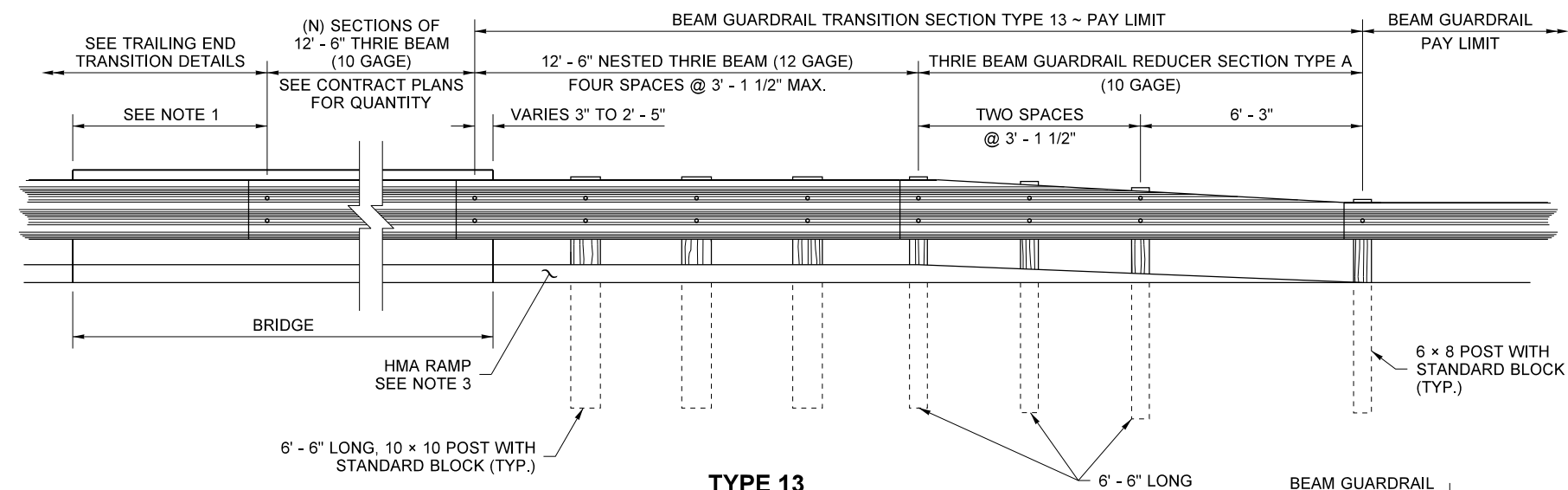
NOTES

- IF THE DISTANCE FROM THE END OF THE BRIDGE TO THE END OF THE THRIE BEAM BRIDGE RAIL SECTION EXCEEDS 6' - 3" USING 12' - 6" THRIE BEAM SECTIONS, ADD A 6' - 3" SECTION OF THRIE BEAM BRIDGE RAIL TO REDUCE THE LENGTH TO LESS THAN 6' - 3".
- WHEN THRIE BEAM IS INSTALLED AT THE FACE OF THE BRIDGE CURB, INSTALL EXTRUDED CURB AT FACE OF GUARDRAIL. SEE **STANDARD PLAN F-10.40** FOR DETAILS. MATCH THE HEIGHT OF EXISTING BRIDGE CURB WITH A 20H : 1V TRANSITION.
- WHEN THRIE BEAM IS INSTALLED AT THE FACE OF RIGID BRIDGE RAIL, AN HMA RAMP IS REQUIRED FROM THE ROADWAY SURFACE TO THE TOP OF THE BRIDGE CURB OR SIDEWALK. THE SLOPE OF THE RAMP SHALL BE 20H : 1V OR FLATTER.

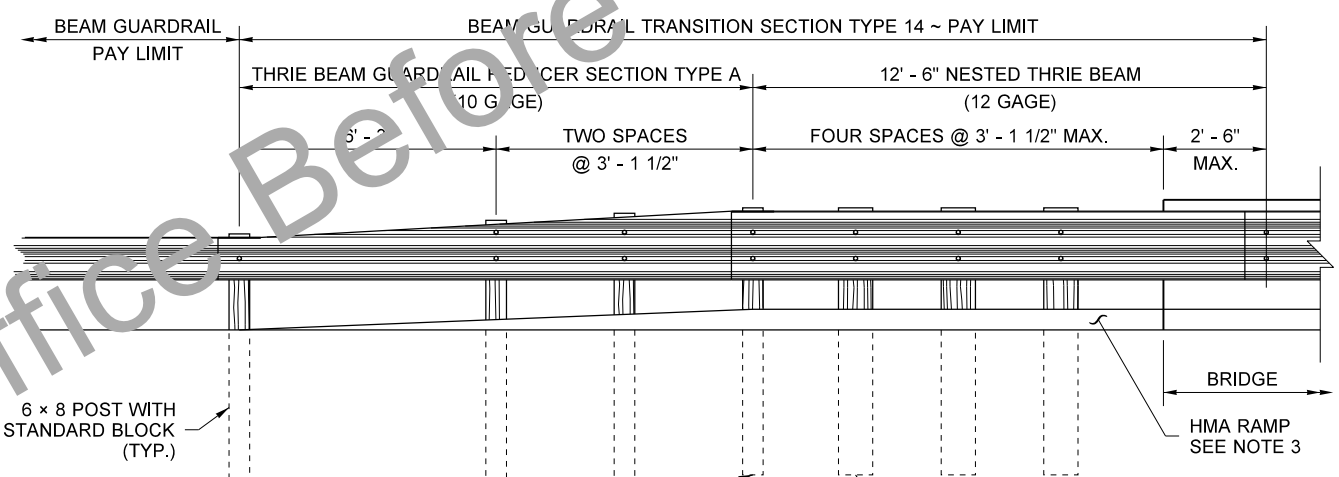


TYPE 1 BEAM GUARDRAIL TRANSITION SECTIONS (TYPES 10 THRU 15)

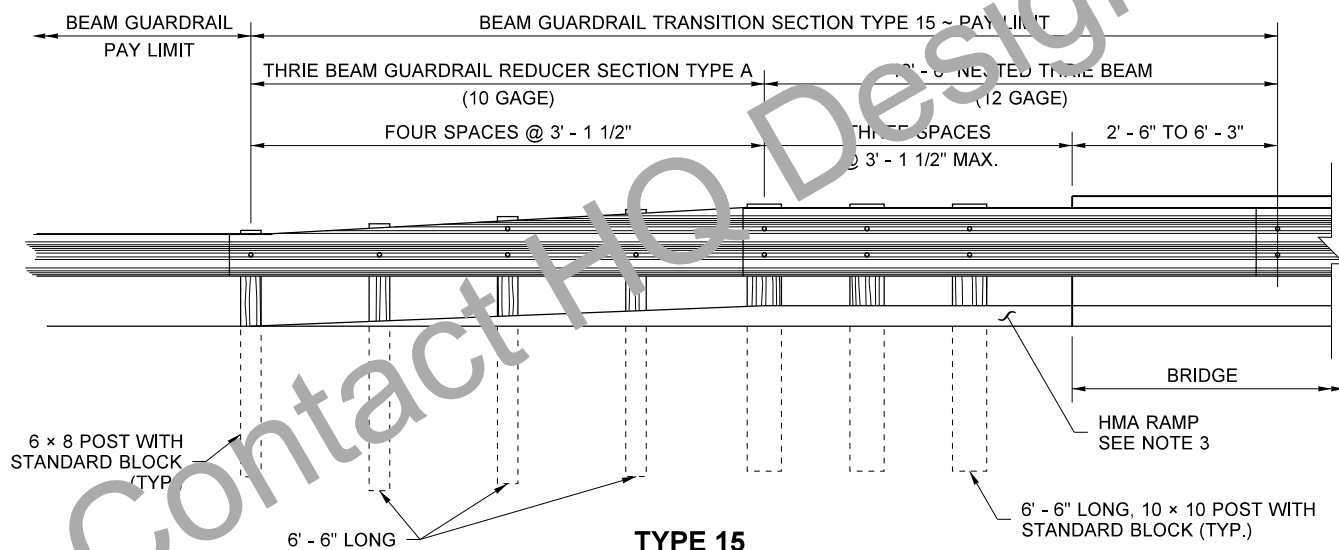
FILE NAME	S:\Design R P& S\4-Standards\2-Plan Sheet Library\02-PSL Work in Progress\C series conversion\TB-c3b\TB-C3b.dgn			REGION NO.	STATE	FED.AID PROJ.NO.	<p>Washington State Department of Transportation</p>	Plot 1
TIME	11:19:53 AM			10	WASH			PLAN REF NO TB-C3b
DATE	8/2/2018			JOB NUMBER				SHEET 1 OF 2 SHEETS
PLOTTED BY	liddelf			CONTRACT NO.		LOCATION NO.		
DESIGNED BY								
ENTERED BY								
CHECKED BY								
PROJ. ENGR.								
REGIONAL ADM.	REVISION	DATE	BY					



TYPE 13
APPROACH END
 THRIE BEAM INSTALLED AT FACE OF BRIDGE RAIL



TYPE 14
TRAILING END
 THRIE BEAM INSTALLED AT FACE OF BRIDGE RAIL



TYPE 15
TRAILING END
 THRIE BEAM INSTALLED AT FACE OF BRIDGE RAIL

TYPE 1 BEAM GUARDRAIL TRANSITION SECTION (TYPE 10 THRU 15)

FILE NAME	S:\Design R P & S\4-Standards\2-Plan Sheet Library\02-PSL Work in Progress\C series conversion\TB-c3b\TB-C3b.dgn			REGION NO.	STATE	FED.AID PROJ.NO.	<p>Washington State Department of Transportation</p>	Plot 1
TIME	11:17:16 AM			10	WASH			PLAN REF NO TB-C3b
DATE	8/2/2018			JOB NUMBER				SHEET 2
PLOTTED BY	liddelf			CONTRACT NO.	LOCATION NO.			OF 2
DESIGNED BY								SHEETS
ENTERED BY								
CHECKED BY								
PROJ. ENGR.								
REGIONAL ADM.	REVISION	DATE	BY					