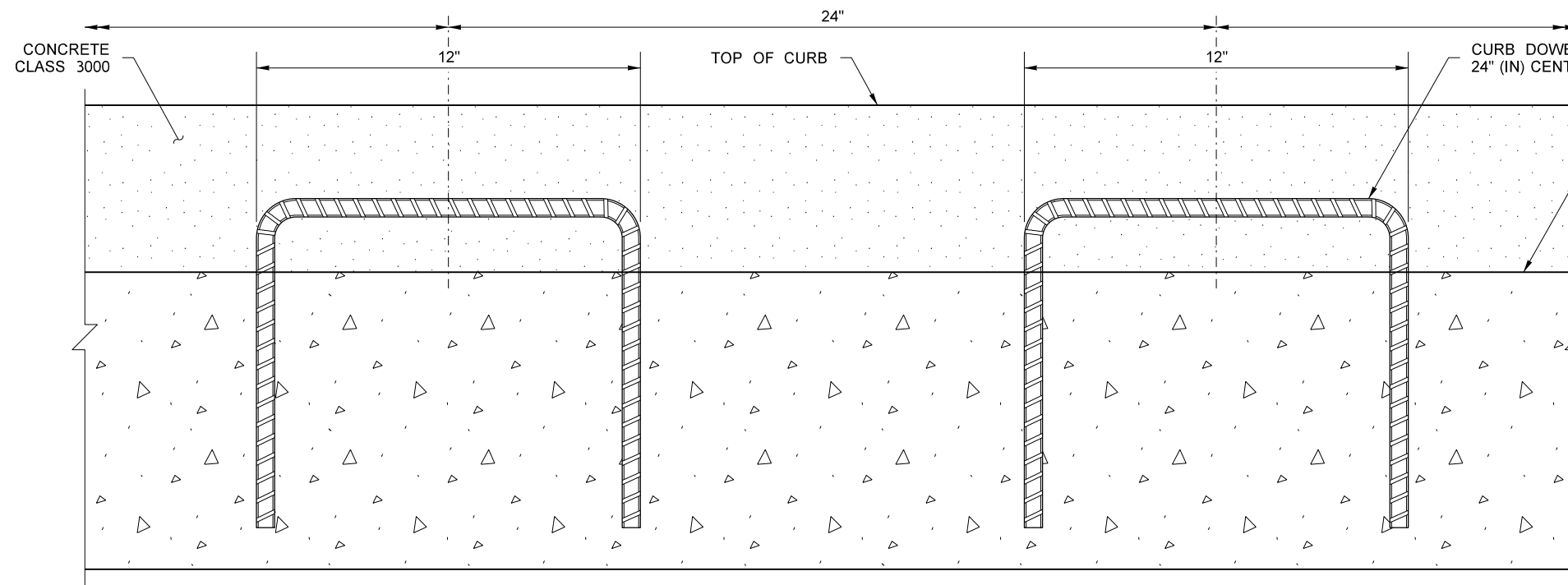
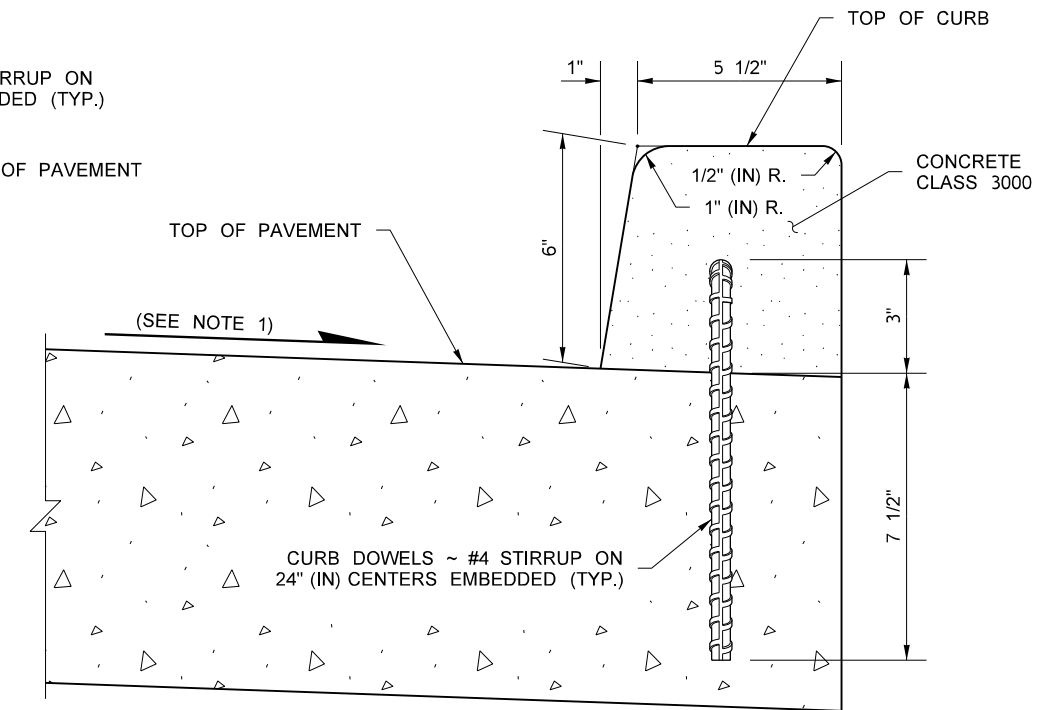


NOTES

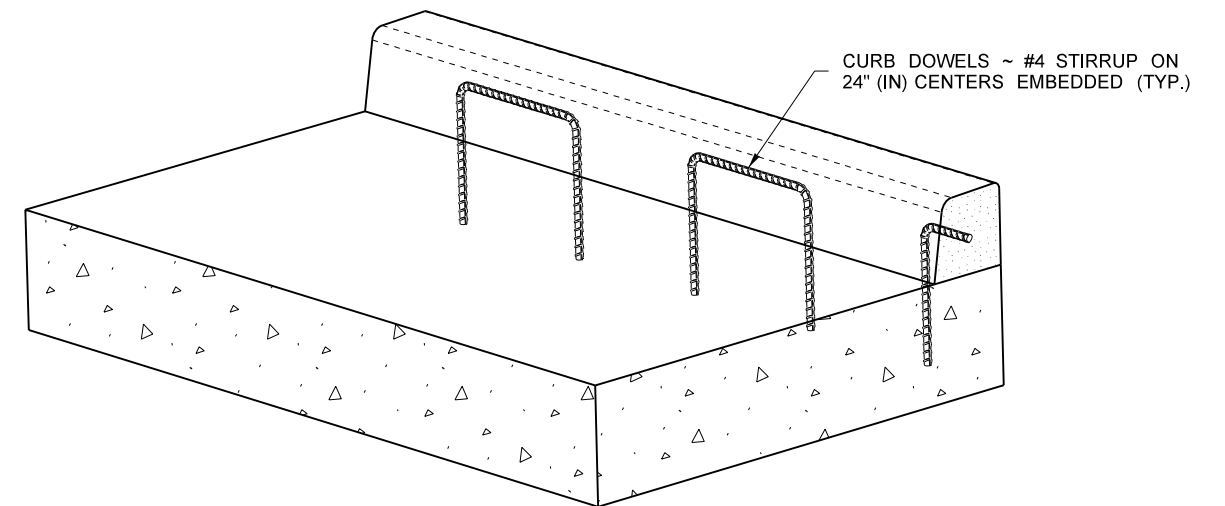
- GUTTER SHALL BE SLOPED THE SAME AS ADJACENT PAVEMENT.



PLAN VIEW



SIDE VIEW



ISOMETRIC VIEW

FILE NAME		S:\Design R P& S\4-Standards\2-Plan Sheet Library\01-Published PSL(GD) Curbs, Sidewalks, and Driveways Geometric Design(GD-24) Curb and Gutter\GD-24.dgn		REGION NO.	STATE	FED.AID PROJ.NO.	Plot 1
TIME	2:49:21 PM						PLAN REF NO
DATE	10/6/2014						GD-24
PLOTTED BY	FletcCo			JOB NUMBER			SHEET
DESIGNED BY							1
ENTERED BY				CONTRACT NO.	LOCATION NO.		OF
CHECKED BY							1
PROJ. ENGR.							SHEETS
REGIONAL ADM.		REVISION	DATE	BY		P.E. STAMP BOX	CURB AND GUTTER